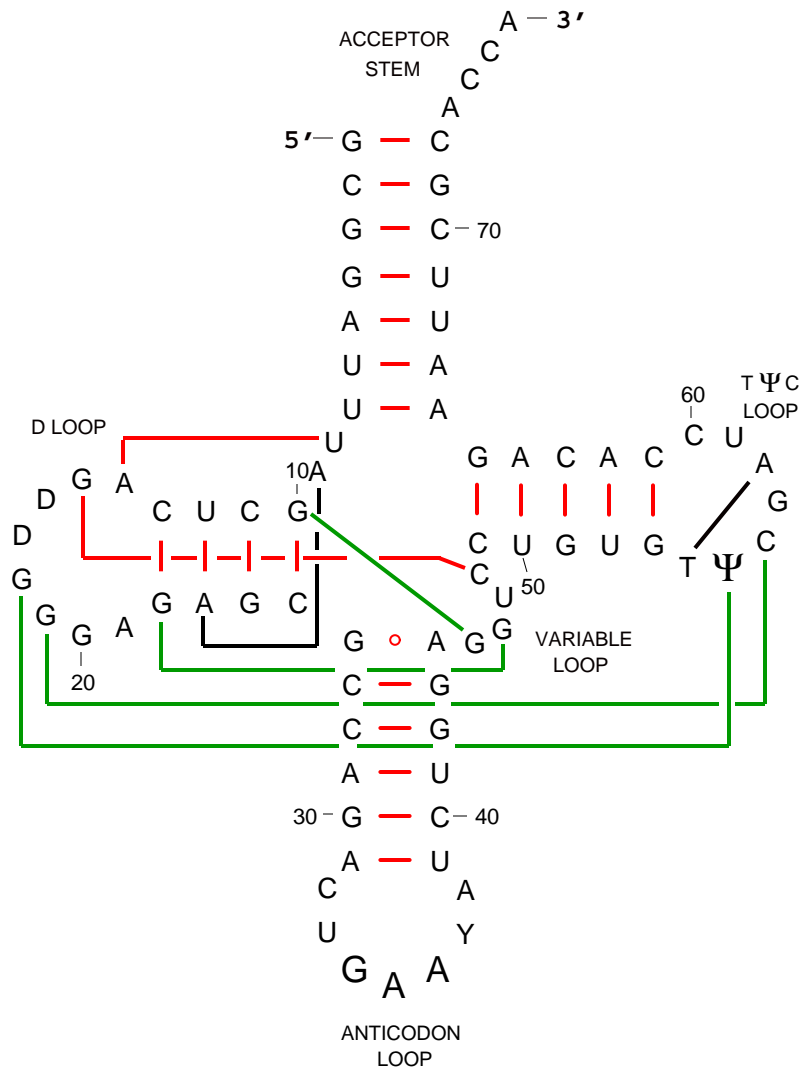


Secondary Structure: Phe tRNA



Saccharomyces cerevisiae

(K01553)

1.cellular organisms 2.Eukaryota

3.eukaryote crown group

4.Fungi/Metazoa group 5.Fungi

6.Ascomycota 7.Saccharomycetales

8.Saccharomycetaceae 9.Saccharomyces

July 2001