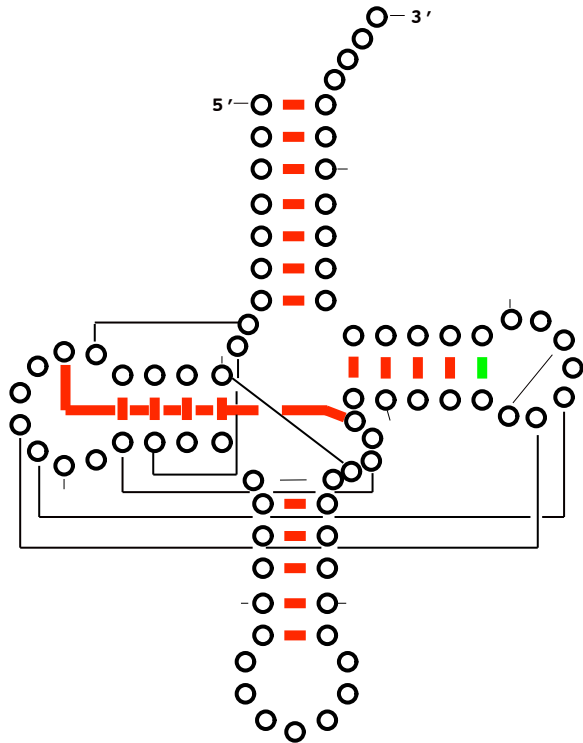
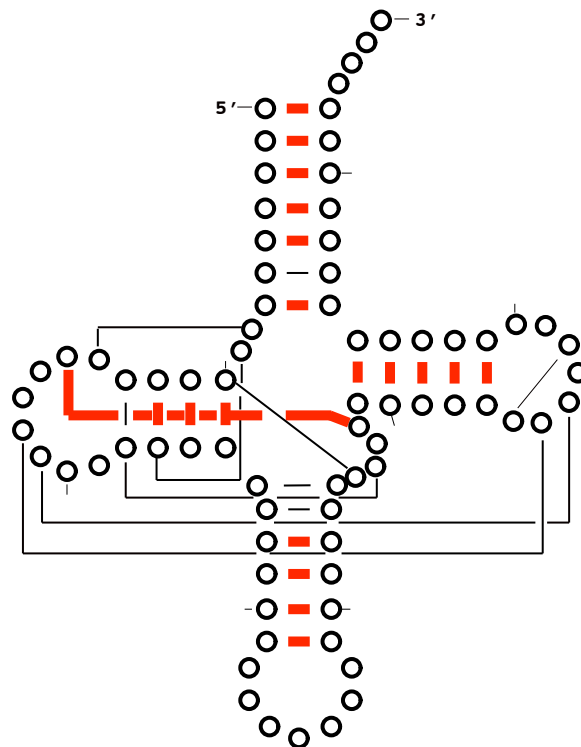


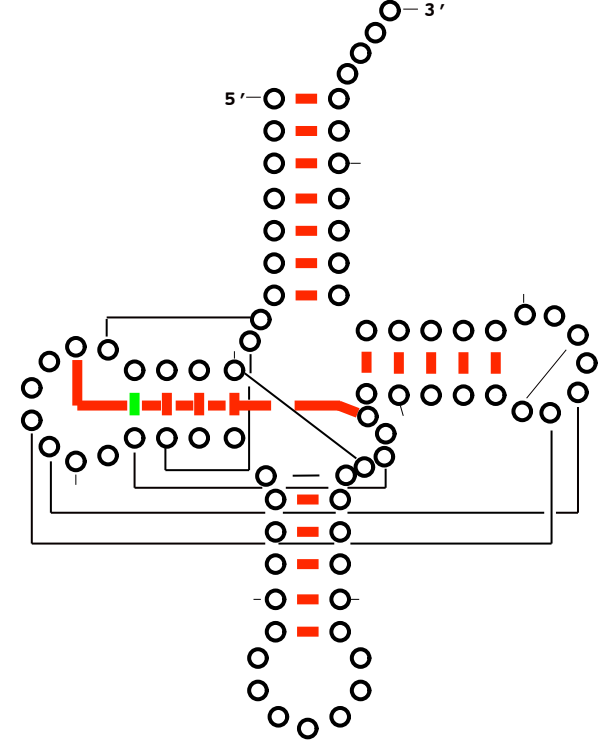
tRNA Mixy -d - 30 Sequences



tRNA EC -d - 30 Sequences



tRNA Covary3 - 30 Sequences



tRNA-30 Mixy -d

Thirty Type 1 tRNA Sequences  
21 (22) of 27 Pairs Identified

tRNA-30 EC -d

Thirty Type 1 tRNA Sequences  
19 (19) of 27 Pairs Identified

tRNA-30 Covary

Thirty Type 1 tRNA Sequences  
21 (22) of 27 Pairs Identified

Red tick marks indicate a "mutual best" covariation with the respective Mixy, EC, and Covary algorithms, green tick marks indicate that the covariation is "one of the best", and black tick marks indicate that the pair is not identified with these different covariation algorithms. The number of secondary and tertiary structure base pairs identified is reported as: #red (#red + #green).