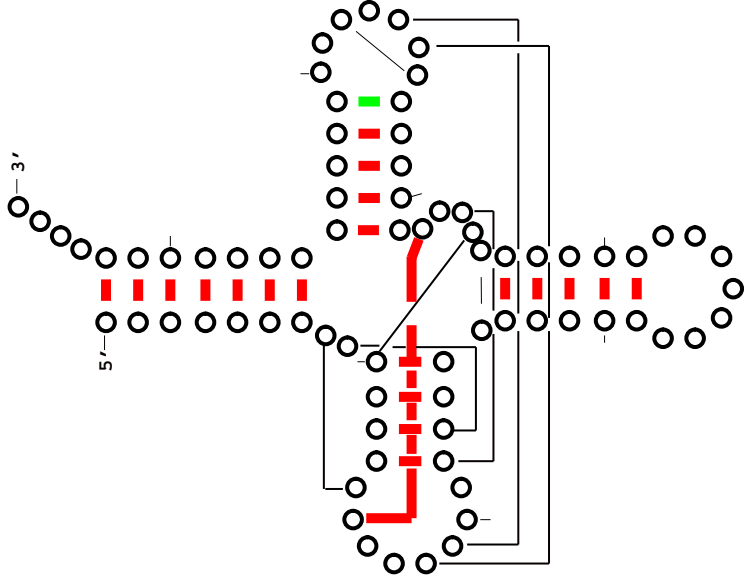
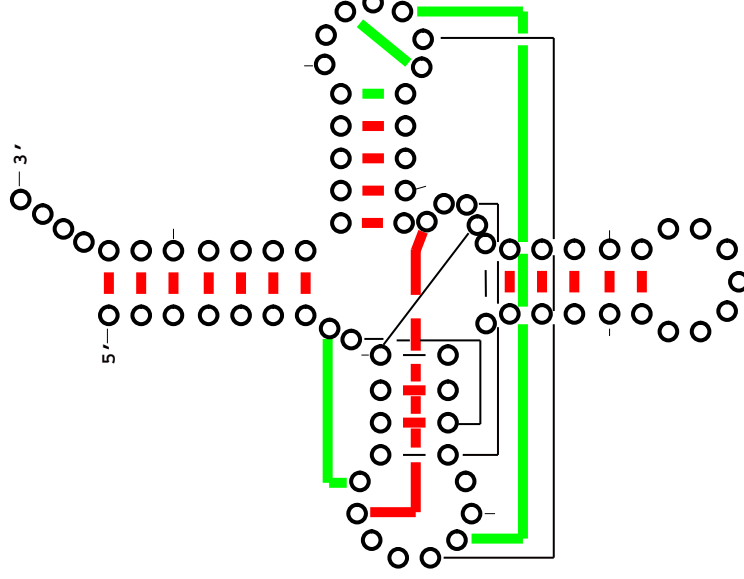


tRNA Mixy -d - 30 Sequences



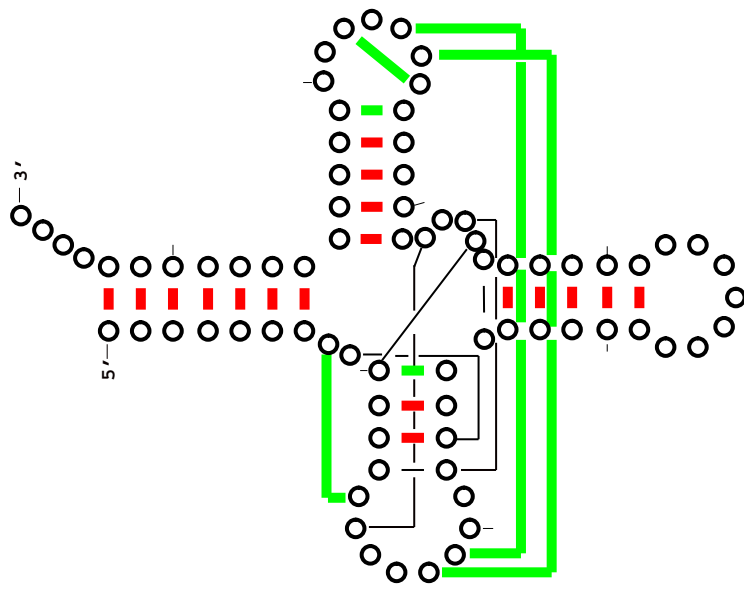
tRNA-30 Mixy -d
 Thirty Type 1 tRNA Sequences
 21 (22) of 27 Pairs Identified

tRNA WC - 30 Sequences



tRNA-30 WC -d
 Thirty Type 1 tRNA Sequences
 19 (23) of 27 Pairs Identified

tRNA WCGU - 30 Sequences



tRNA-30 WCGU
 Thirty Type 1 tRNA Sequences
 18 (24) of 27 Pairs Identified

Red tick marks indicate a "mutual best" covariation with the respective Mixy, WC, and WCGU algorithms, **green** tick marks indicate that the covariation is "one of the best", and black tick marks indicate that the pair is not identified with these different covariation algorithms. The number of secondary and tertiary structure base pairs identified is reported as: **#red** (**#red** + **#green**).