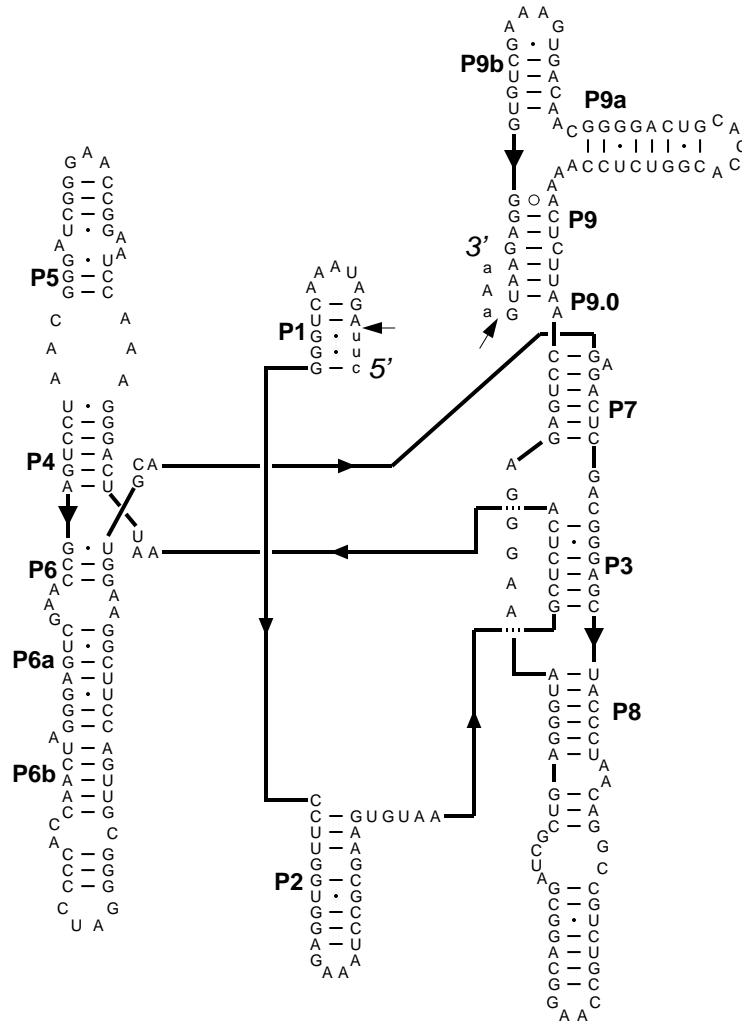


Secondary Structure: Group I intron



Prochlorothrix hollandica: *Nucleus (i1)*

(U29955) (IC3)

1. cellular organisms 2. Bacteria
3. Cyanobacteria 4. Prochlorophytes
5. Prochlorothrichaceae
6. Prochlorothrix
August, 2000