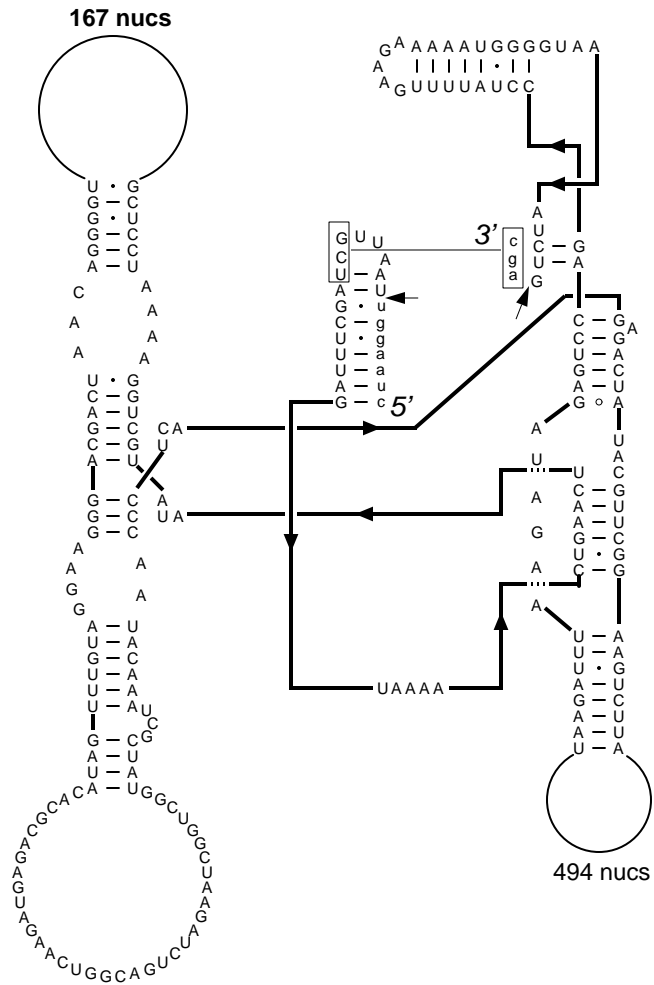


Group I intron



Chlamydomonas pallidostigmatica

[Chloroplast] LSU.1931

GenBank# L36830,Z17229

Eucarya, Protista, Chlorophyta [IB4]

Nov. 9, 1997

Citation and related information available at <http://www.rna.ccbb.utexas.edu>