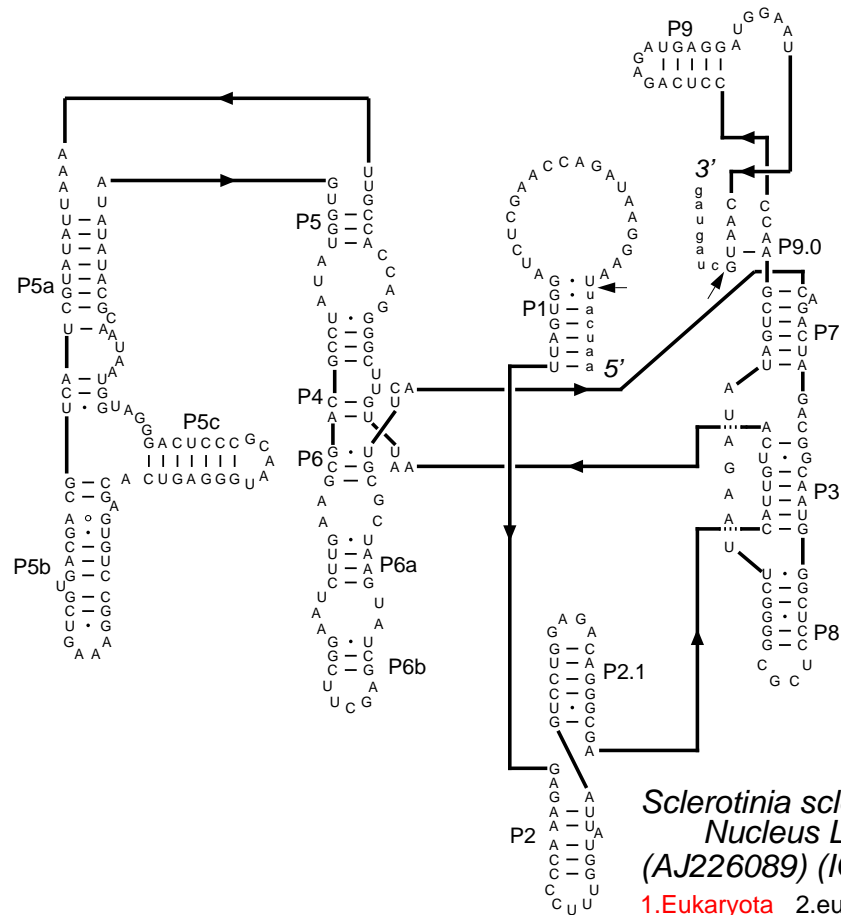


## Secondary Structure: Group I intron



Citation and related information available at <http://www.rna.ccbb.utexas.edu>