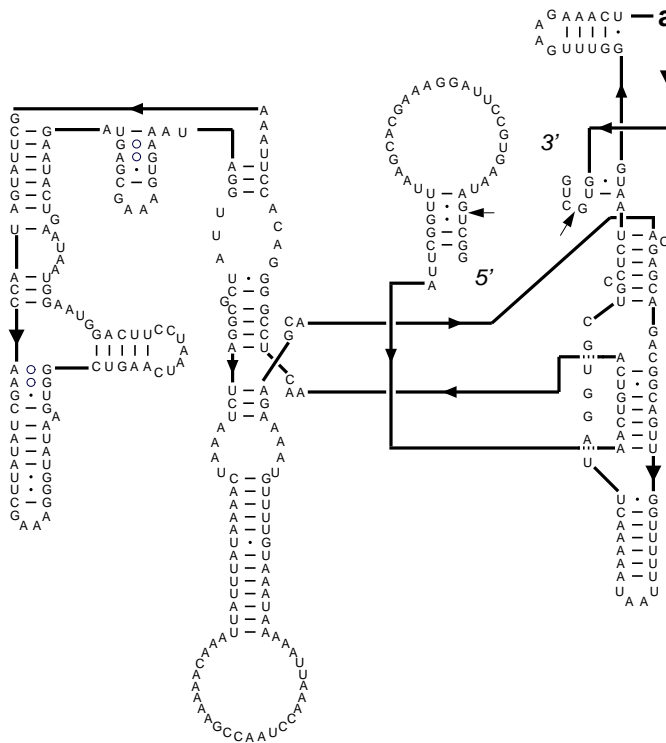


## Secondary Structure: Group I intron

a 5'- AUC AACCCUAG AUCUCG CUA AACCAA UUAUUAAA UAAAACA AGAAGCUAUUC  
AACUUC AAAUUCCCAA UUUCAGAUUUUCCUAUUAAA UCCUUGGUUUUAAA  
CAGGAUUUACGG AUGCUGAAGGUUCAUUUAUGGUUUCUUAACUAAA AAU  
GAAAAUCUAAA UUAAGGAGGAUAUAUCCUUCUUUUGCUUAACAUAU  
CCAUAUAAGAUUAUCAUUACUAAAUCAAAUC CAAAAAACUUUAGGAG  
UAGGUAAAAGAAA AAUAAGUAAAACAACAGCUUUUUUAAGUAGAU  
AAUCUUAAAAGAAUUACAAGUUUUUAUAUC AUUUUUGAUAAAUAUCCA  
GGUUAGUUUAAAAGCUUCAGAUUAUAUAUUUAAAAGUGUUUAUAUC  
UAUUUAUGCAAAAACA AUUUAACUAAAAGGGUUACC GGUAUUUUAAAAAAC  
UCUUAAAAGUA AACUUAAAAGGGUUACC GGUAUUUUAAAAAAC  
GUUUCCAUAUUUAUCCUAUUUGAAAGAC CAGAUUAUUUUUA AAAACA  
UACCUAAUCCUUAUUUGGAUUUCUGGUUUUGCUUCUGGGGAUUCUACA  
AUGUUUCAUA GAACAAGUAUAUAUAUAAGGGAAGAAGUUAACA  
AAUUAUUUGUAUCUUGUCUUCACAUAAAAGAUAA GAUAUAUAAGGGA  
UGCAAAUUAUUUUUAUAUUCAUUUGAAAACUUAAAACAACUCGUUUUA  
AAUAAACAGAACAAAUUGAGUGAUUCAAUUGAACAUAAAUAUAUAUA  
UUAUGAUUUCUACAACUUCUUCUCAAUUAAAUAUAUAUAUAUAUAUA  
UACGGAUA  
AAACACUUAGAUUUUUUAUAUAUAUAUAUAUAUAUAUAUAUAUAUAUA  
UAAAGAACUAUCACUCAAGAUUCGGUUUAUAUAUAUAUAUAUAUAUA  
AAAGGAUAUAUUUAGAUAGAUUUUGAAUAUAUAUAUAUAUAUAUAUA  
CUAAAUCUAAUUUCCAUGAUAGAC -3'



*Agrocyebe aegerita:*  
Mitochondrion SSUrRNA[j1,1224]  
(U54637) (IC2)

1. Eukaryota
  2. eukaryote crown group
  3. Fungi/Metazoa group
  4. Fungi
  5. Basidiomycota
  6. Hymenomycetes
  7. Agaricales
  8. Bolbitiaceae
  9. *Agrocyebe*
- August, 2000