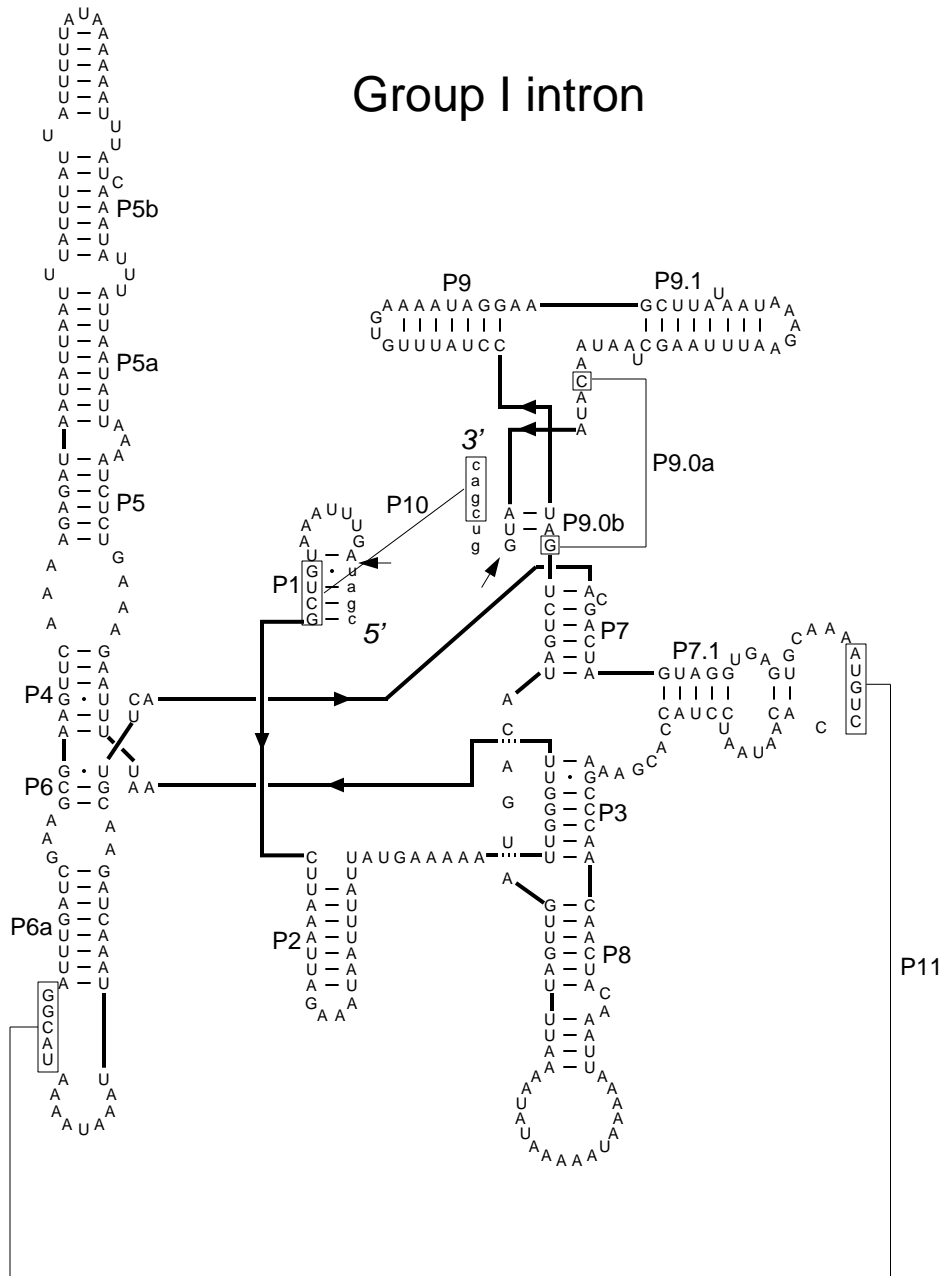


Group I intron



Suillus luteus [Mitochondrion] LSU [i8;2504]
 (L47586)
 Eucarya, Fungi, Basidiomycota (IA1)
 Feb. 6, 1998

Citation and related information available at <http://www.rna.ccbb.utexas.edu>