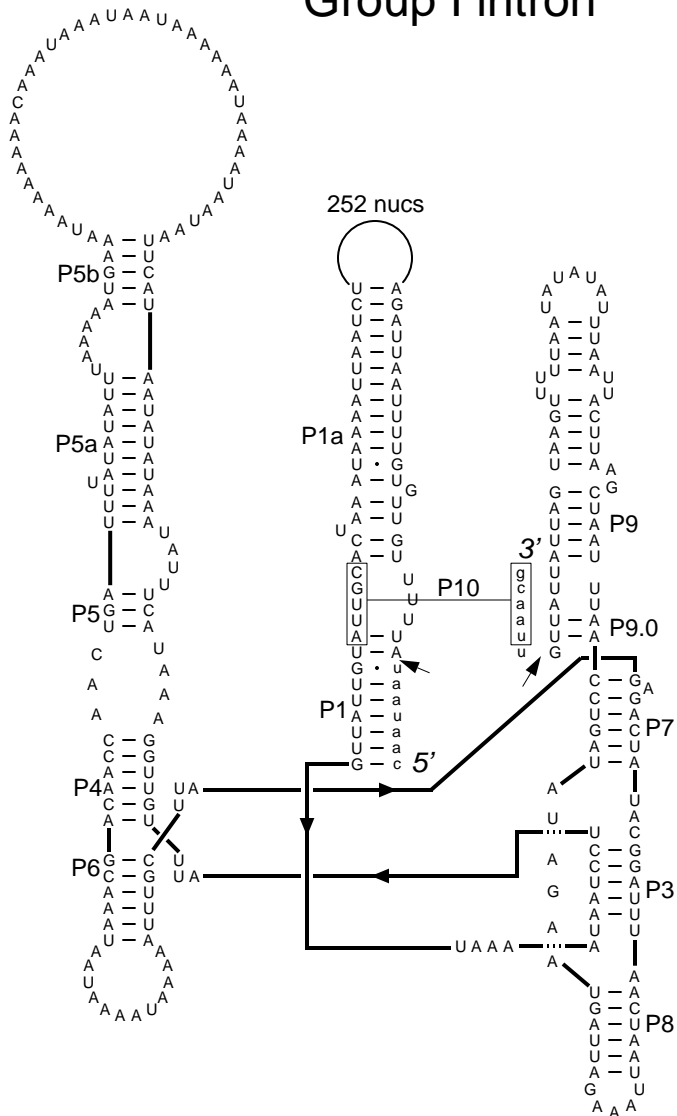


Group I intron



Suillus luteus [Mitochondrion] LSU [i4;1974]
 (L47586)
 Eucarya, Fungi, Basidiomycota (IB2)
 Feb. 5, 1998