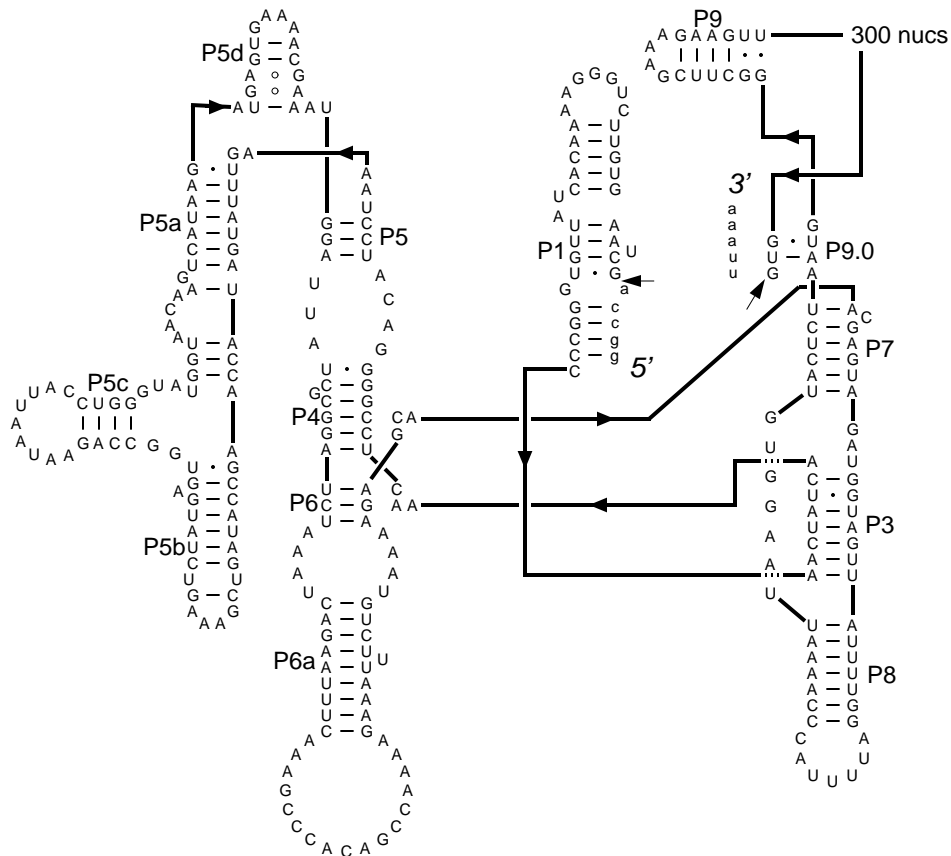


Group I intron



Suillus luteus [Mitochondrion] LSU [i3;1949]
 (L47586)
 Eucarya, Fungi, Basidiomycota (IC2)
 Feb. 5, 1998

Citation and related information available at <http://www.rna.ccbb.utexas.edu>