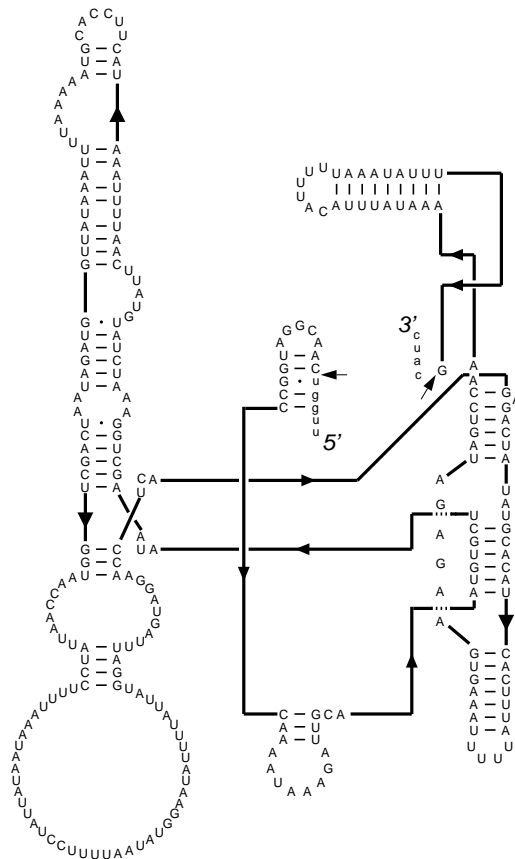


## Secondary Structure: Group I intron



*Schizosaccharomyces pombe*:  
 Mitochondrion OX1 (i2)  
 (M15669) (IB1)

1.cellular organisms 2.Eukaryota 3.eukaryote crown group  
 4.Fungi/Metazoa group 5.Fungi 6.Ascomycota  
 7.Schizosaccharomycetales 8.Schizosaccharomycetaceae  
 9.Schizosaccharomyces  
 Sep,2000

Citation and related information available at <http://www.rna.cccb.utexas.edu>