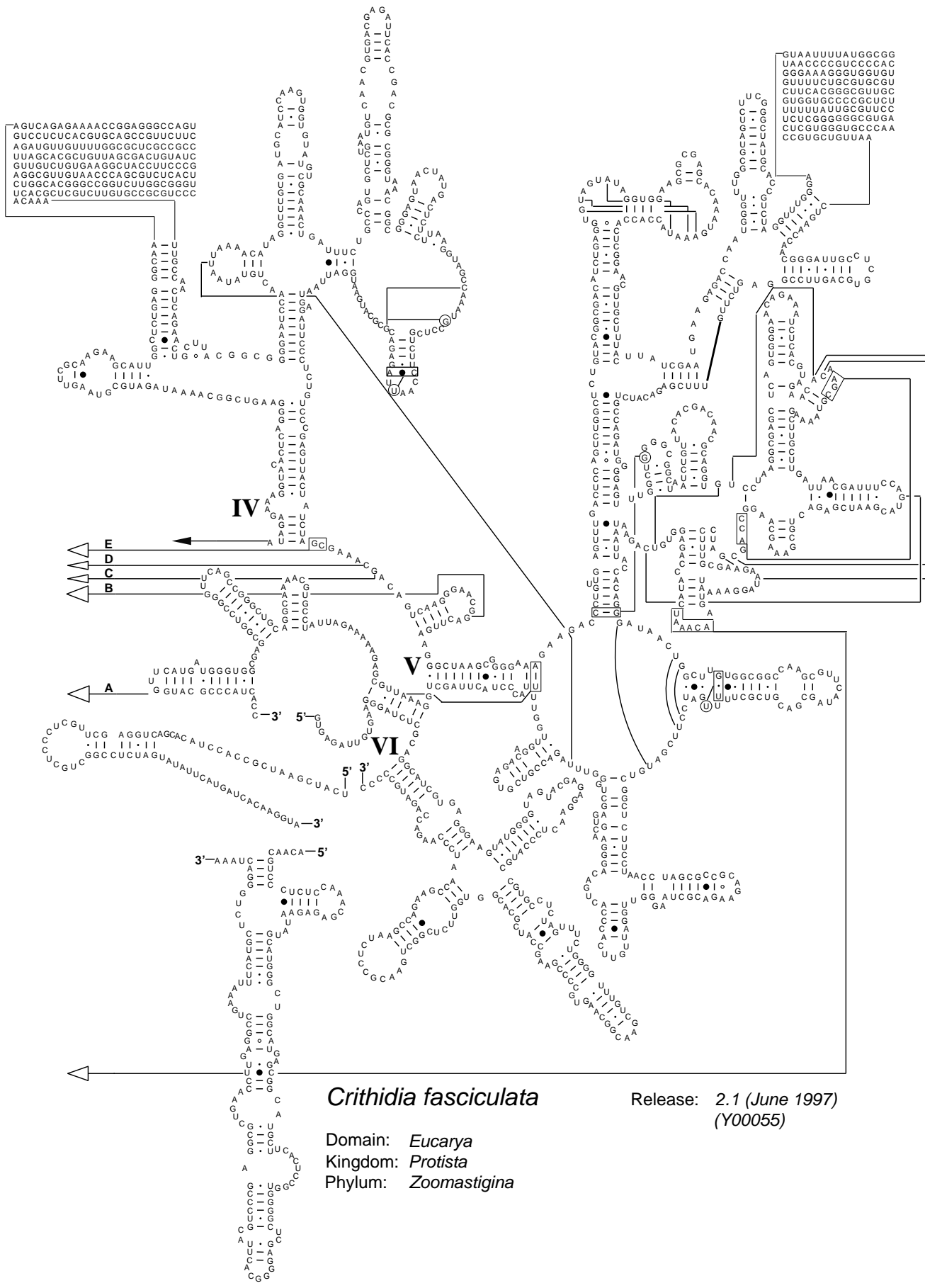


Secondary Structure of eucaryotic 23S Ribosomal RNA - 3'half



Crithidia fasciculata

Release: 2.1 (June 1997)
(Y00055)

Domain: Eucarya
 Kingdom: Protista
 Phylum: Zoomastigina