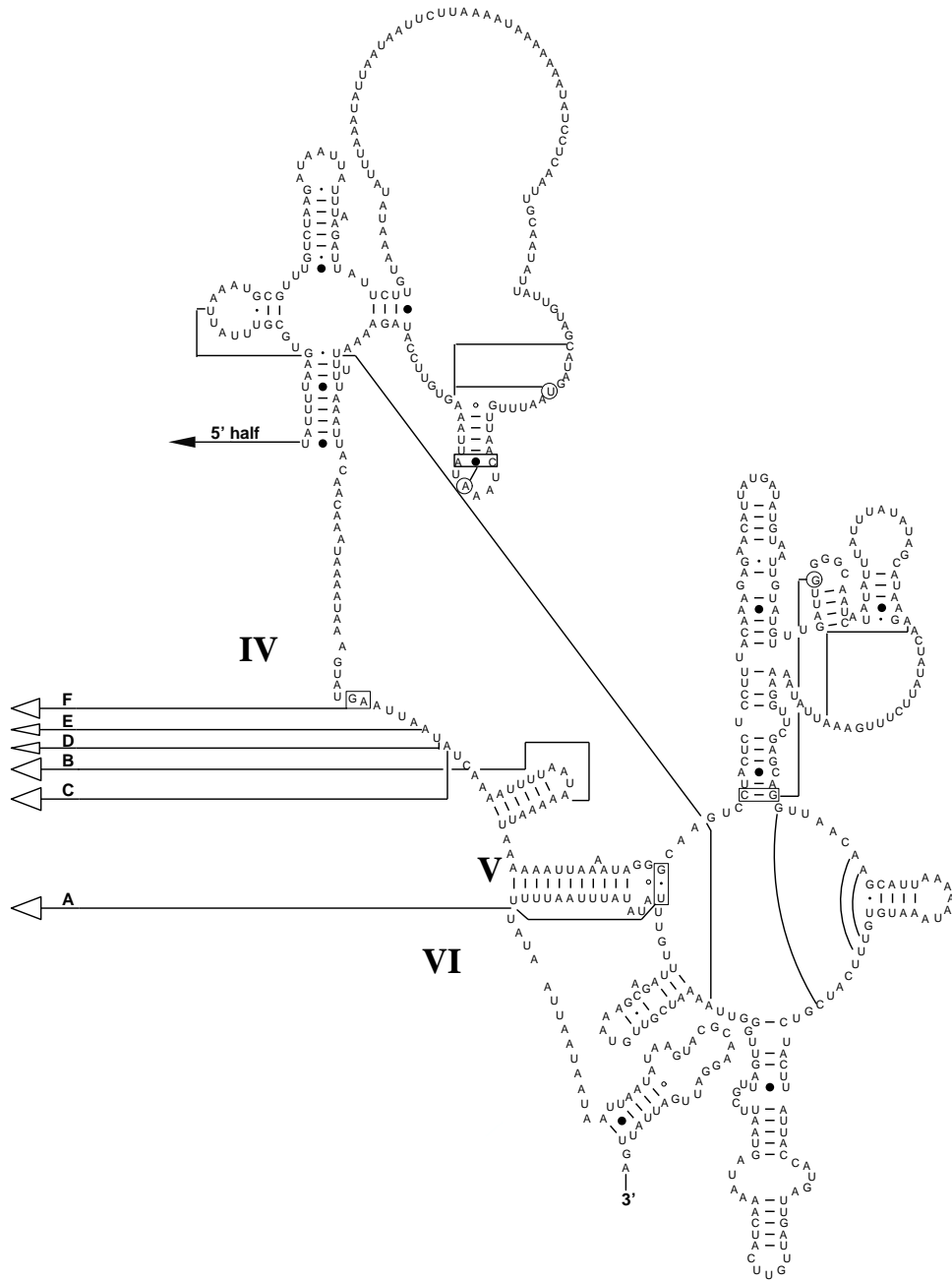


Secondary Structure of mitochondrial 23S Ribosomal RNA: 3'half



■
 A
 UAGUAAAAGUAAUU

Trypanosoma brucei: Mitochondrion

Domain: *Bacteria*
 Eucarya Phylum: *Protista, Zoomastigina*

Release: 1.0 (May 1997)
 (X02547)