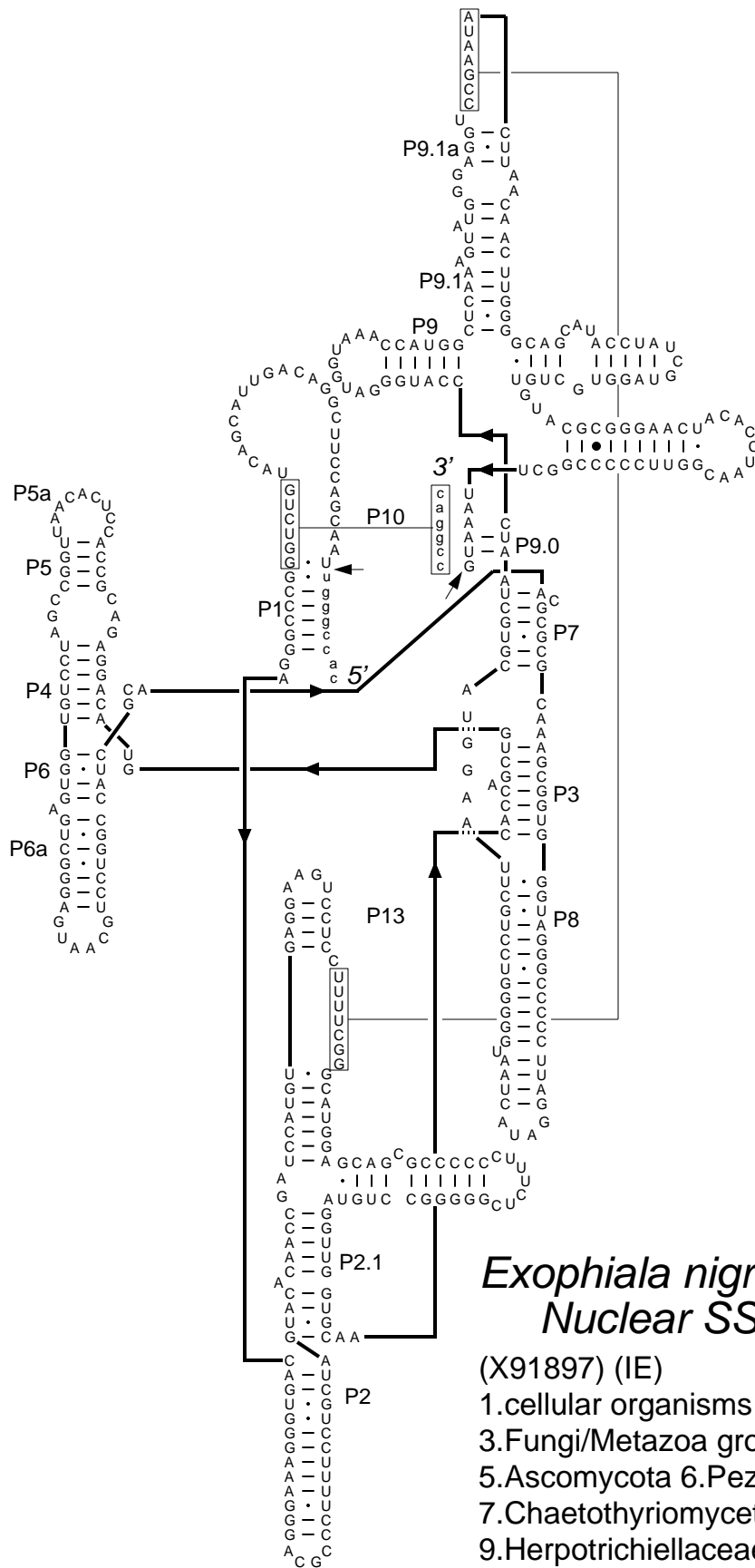


# Secondary Structure: Group I intron



*Exophiala nigra:*  
*Nuclear SSU rRNA [i1, 989]*

(X91897) (IE)

1. cellular organisms
2. Eukaryota
3. Fungi/Metazoa group
4. Fungi
5. Ascomycota
6. Pezizomycotina
7. Chaetothyriomycetes
8. Chaetothyriales
9. Herpotrichiellaceae
10. mitosporic Herpotrichiellaceae
11. Exophiala

November 2003