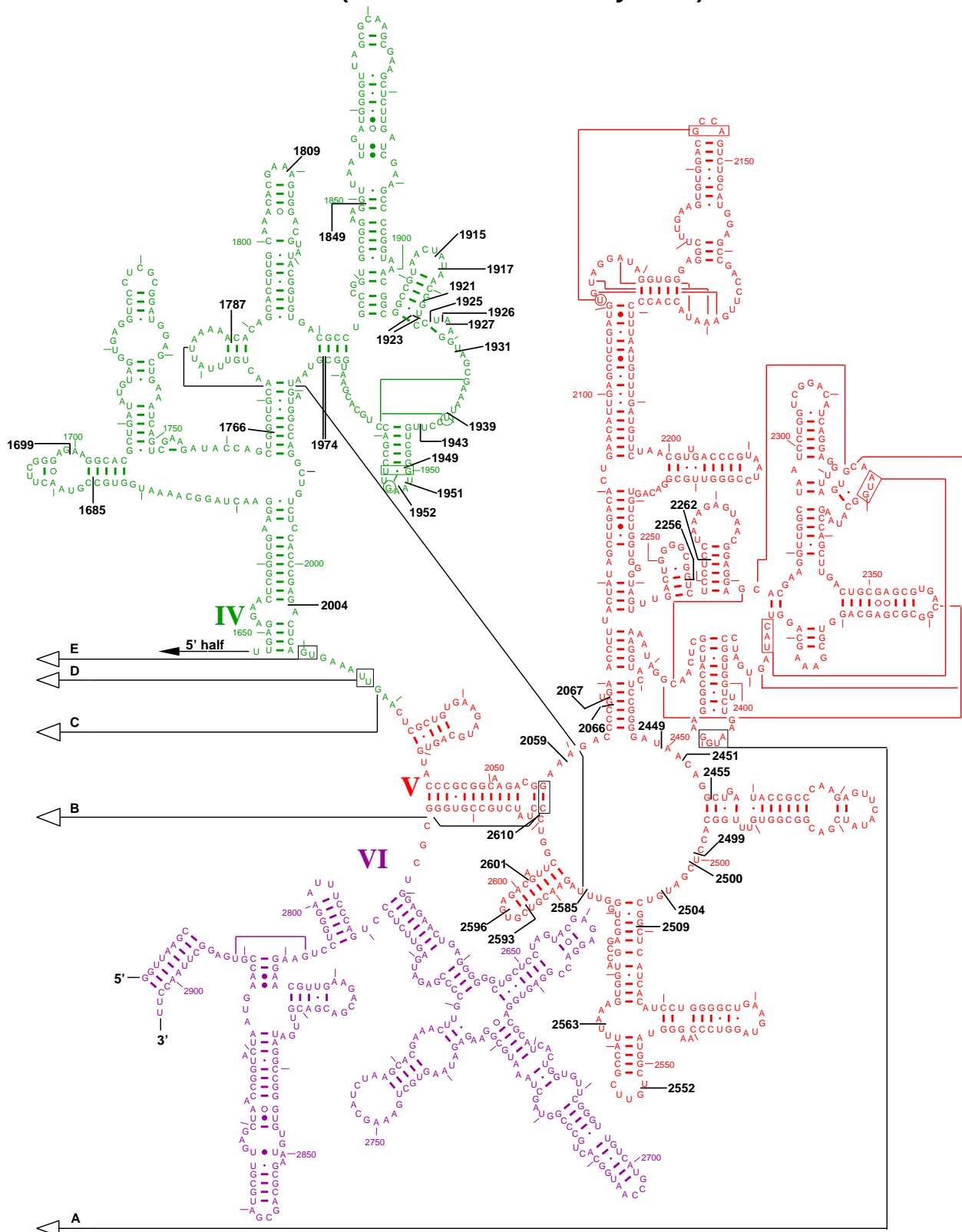


rRNA Introns: Intron Positions and Structural Domains in 23S rRNA, 3' half (Data from 14 February 2002)



rRNA Introns: 23S rRNA, 3' half (Structural Domains)

Reference sequence: Escherichia coli (J01695).

Last Updated: February 2002.

— - Intron points of rRNA introns

Intron positions with multiple lines contain that number of intron types.

Each structural domain of the 23S rRNA is highlighted in a different color. Tertiary interactions which span more than one structural domain are shown in black.

Citation and related information available at <http://www.rna.icmb.utexas.edu>.