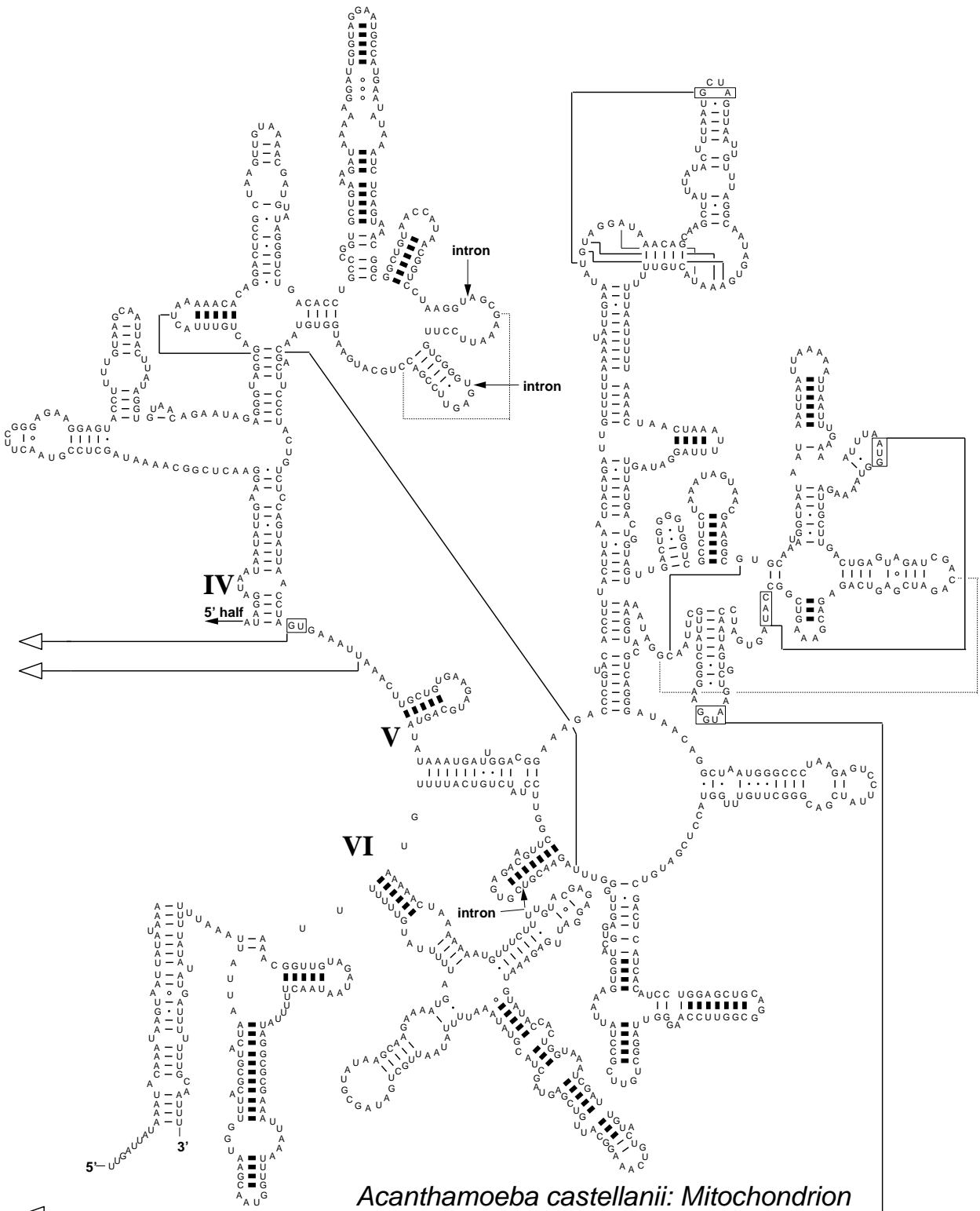


Secondary Structure: large subunit ribosomal RNA - 3' half



Acanthamoeba castellanii: Mitochondrion

Domain: *Bacteria* Release: 2.2 (June 1995)
 Eucarya phylum: *Protista, Rhizopoda* (U03732)