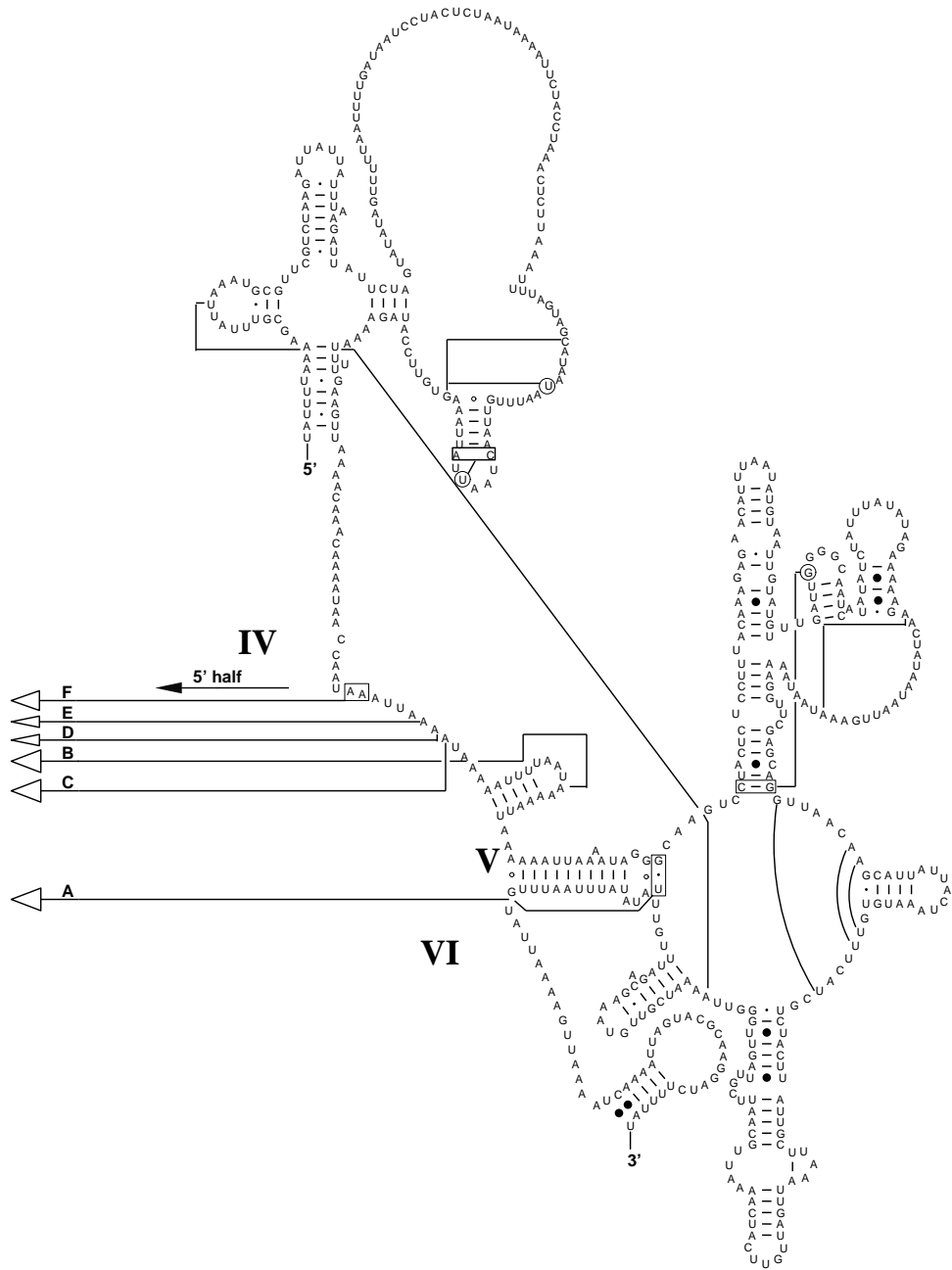


Secondary Structure of mitochondrial 23S Ribosomal RNA: 3'half

Citation and related information available at <http://www.rna.icmb.utexas.edu>



Crithidia oncopelti

Domain: *Bacteria*
Eucarya phylum: *Protista, Zoomastigina*

Release: *1.0 (May 1997)*
(X51736)

■

A