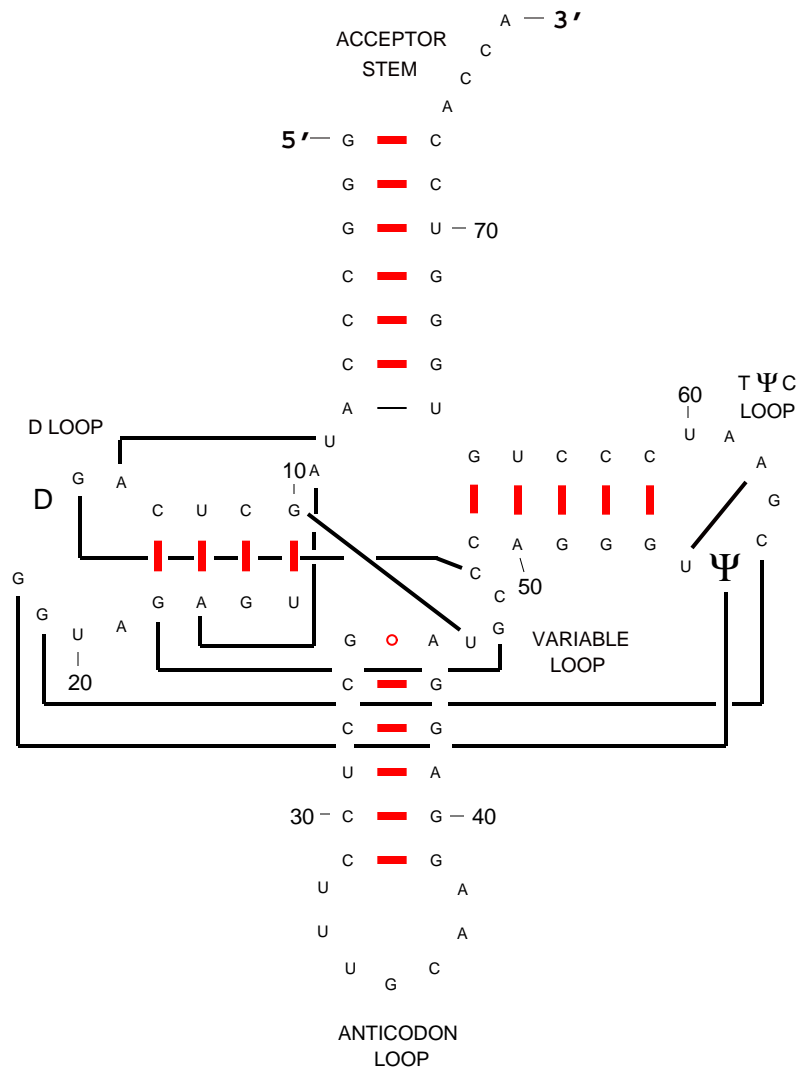


## Secondary Structure: transfer RNA



### *Haloferax volcanii*

(K02508)

1.cellular organisms 2.Archaea 3.Euryarchaeota  
4.Halobacteria 5.Halobacteriales 6.Halobacteriaceae  
7.Haloferax

Jun,2002