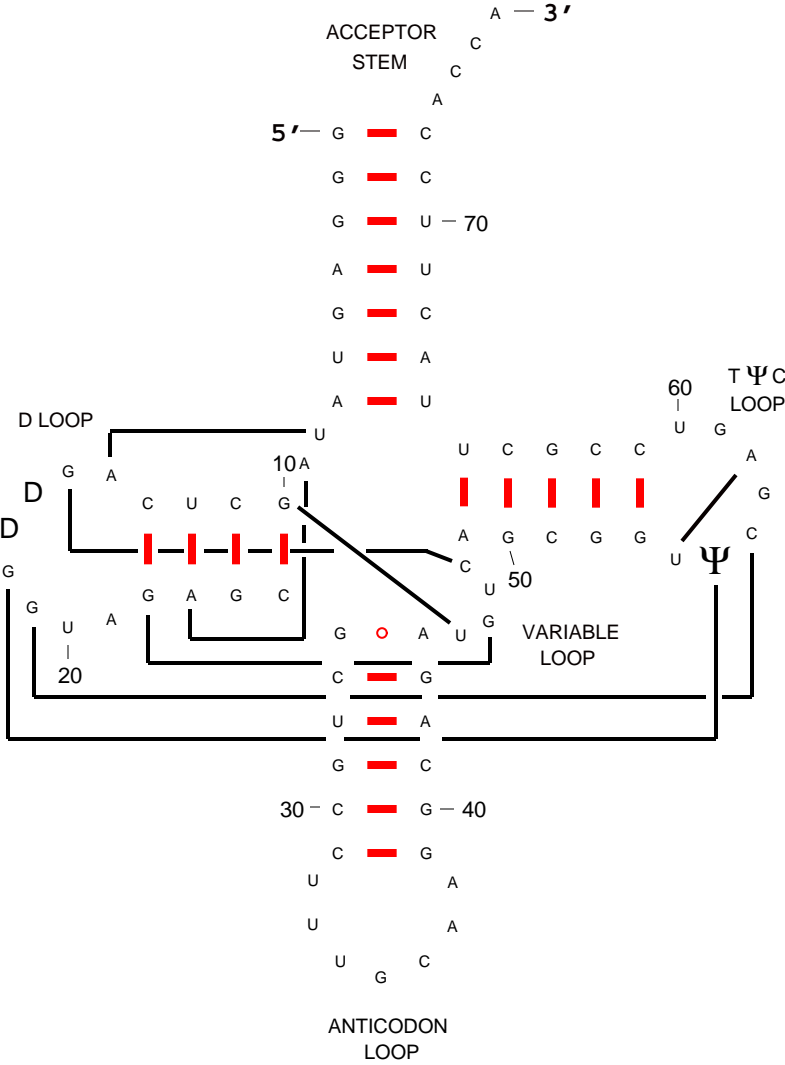


Secondary Structure: transfer RNA



Chlorella ellipsoidea

X05693

1. cellular organisms 2. Eukaryota 3. Viridiplantae