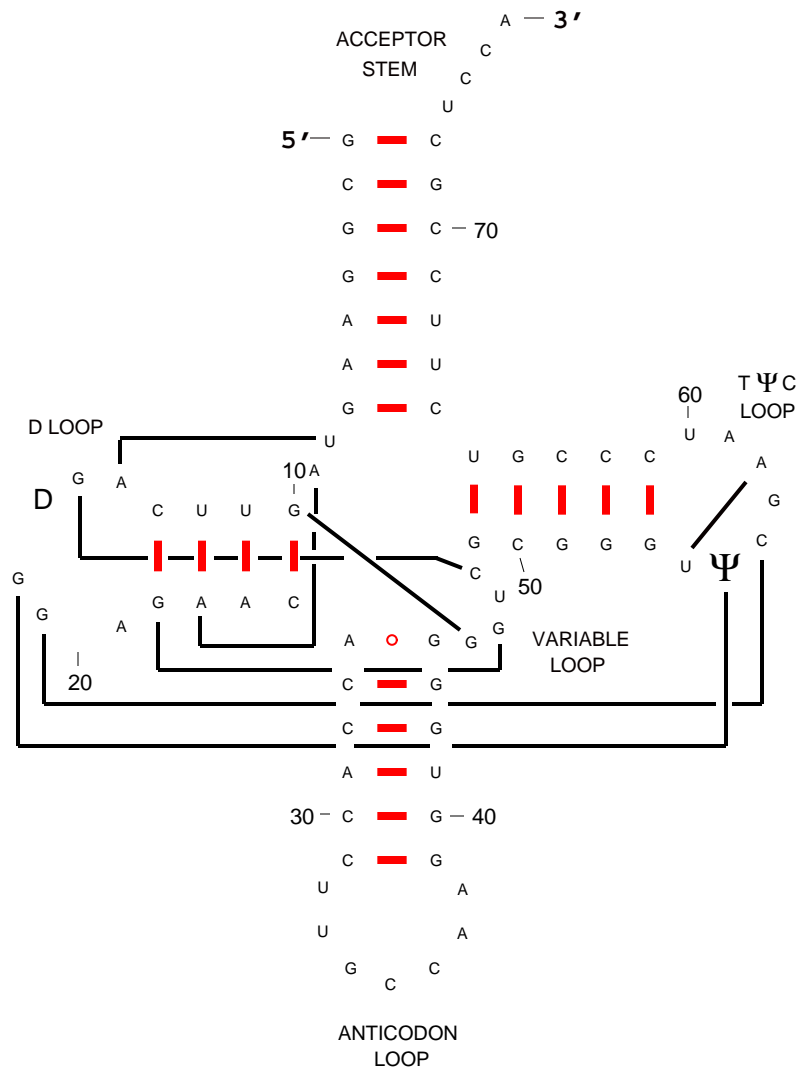


Secondary Structure: transfer RNA



Bacillus subtilis

(K00637)

1.cellular organisms 2.Bacteria 3.Firmicutes
4.Bacillus/Clostridium group 5.Bacilli
6.Bacillales 7.Bacillaceae 8.Bacillus

Jun,2002