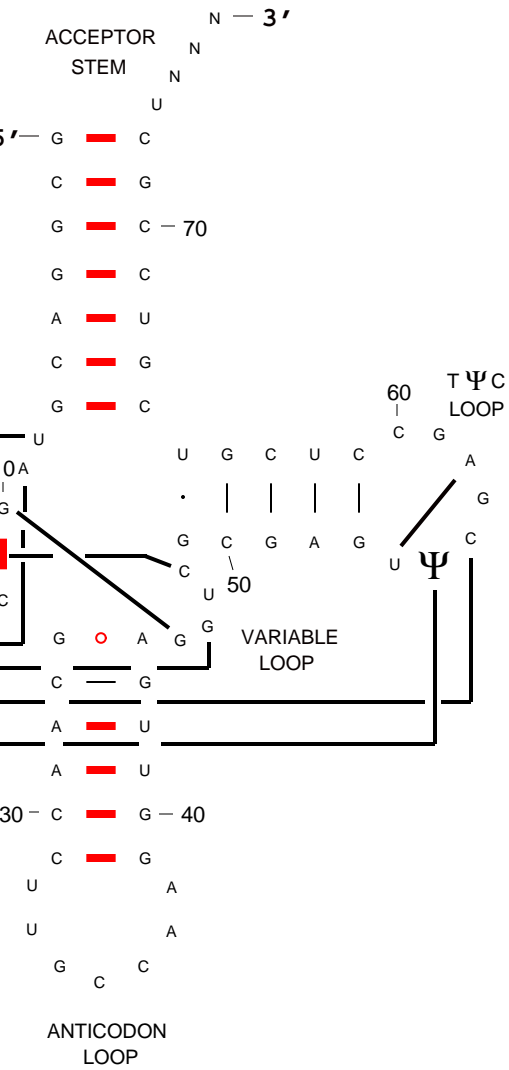


Structure: transfer RNA



Streptomyces coelicolor A3(2)

(3)

1. Eukaryotes 2. Bacteria 3. Firmicutes

4. Actinobacteria 5. Actinobacteridae 6. Actinomycetales 7. Streptomycineae 8. Streptomycetaceae 9. Streptomyces 10. Streptomyces