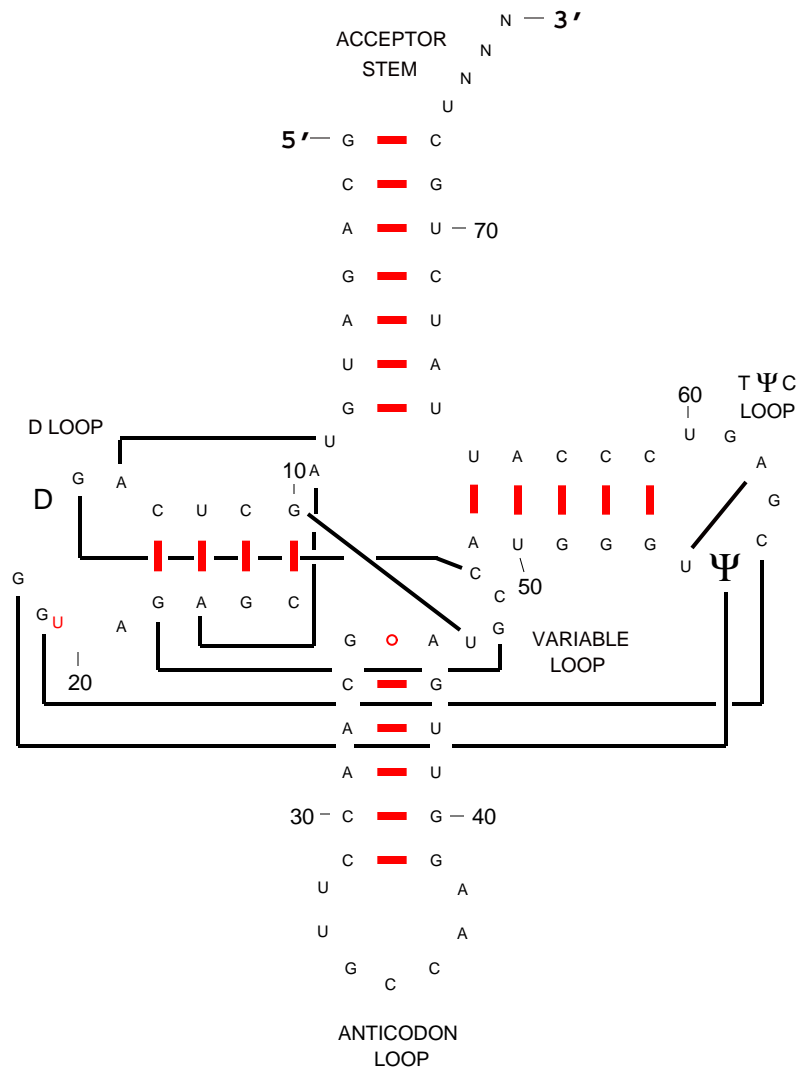


Secondary Structure: transfer RNA



Euglena gracilis

(X70810)

1.cellular organisms 2.Eukaryota 3.Euglenozoa
4.Euglenida 5.Euglenales 6.Euglena

Jun,2002