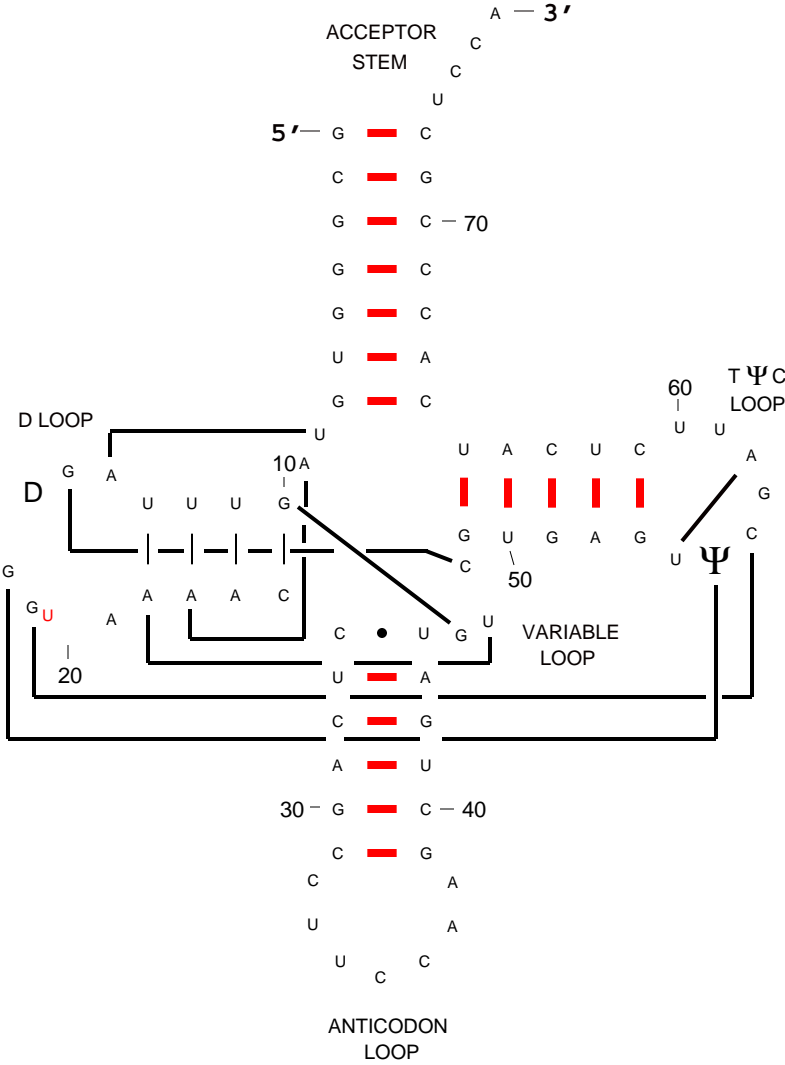


Secondary Structure: transfer RNA



Bacillus subtilis

(Z99108)

- 1. cellular organisms
 - 2. Bacteria
 - 3. Firmicutes
 - 4. Bacillus/Clostridium group
 - 5. Bacilli
 - 6. Bacillales
 - 7. Bacillaceae
 - 8. Bacillus
- Jun, 2002