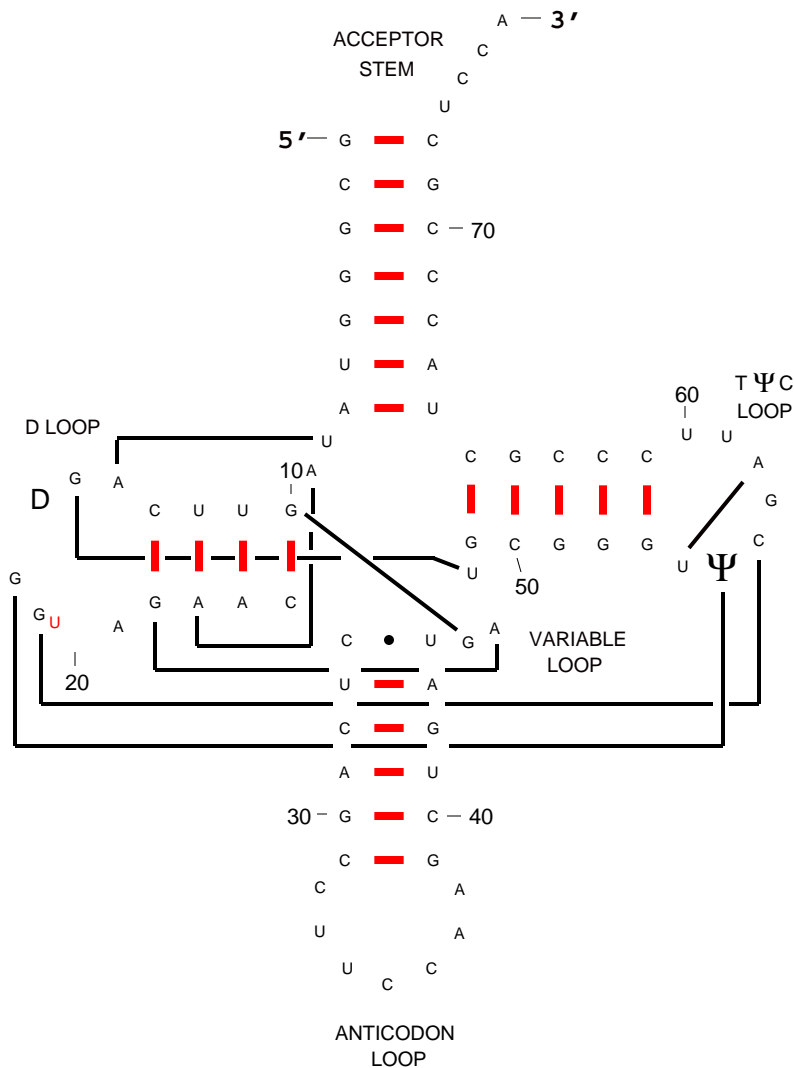


Secondary Structure: transfer RNA



Pseudomonas aeruginosa

(AE004843)

1.cellular organisms 2.Bacteria 3.Proteobacteria
4.gamma subdivision 5.Pseudomonaceae/Moraxellaceae group
6.Pseudomonadaceae 7.Pseudomonas 8.Pseudomonas aeruginosa group
Jun,2002