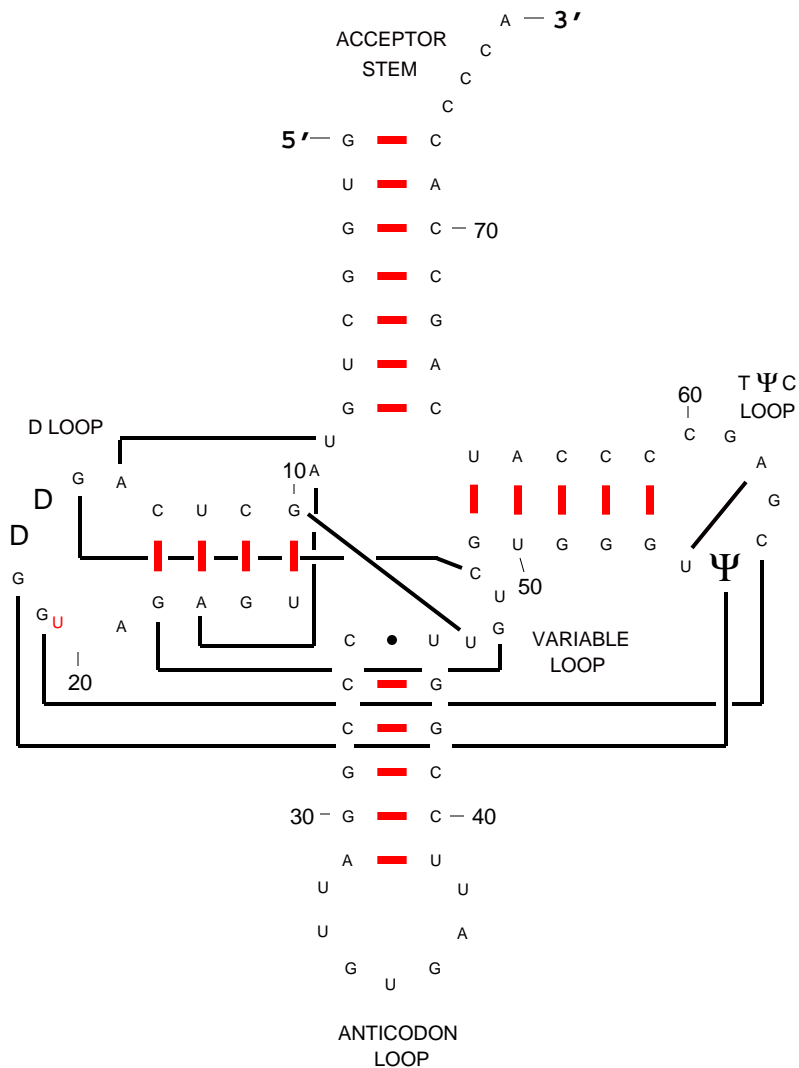


Secondary Structure: transfer RNA



Aeromonas hydrophila

(X12977)

1.cellular organisms 2.Bacteria 3.Proteobacteria
 4.gamma subdivision 5.Aeromonadaceae/Succinivibrionaceae group
 6.Aeromonadaceae 7.Aeromonas

Jun,2002