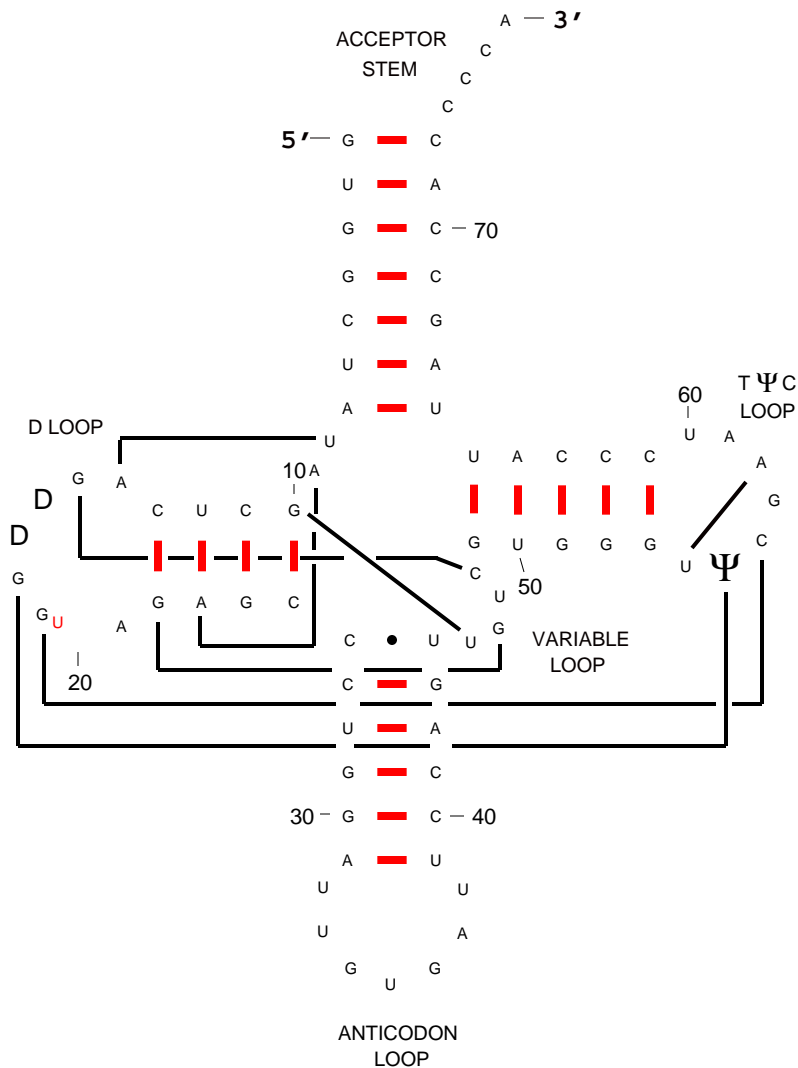


Secondary Structure: transfer RNA



Salmonella typhimurium LT2

(AE008789)

1.cellular organisms 2.Bacteria 3.Proteobacteria
4.gamma subdivision 5.Enterobacteriaceae group
6.Enterobacteriaceae 7.Salmonella 8.Salmonella typhimurium

Jun,2002