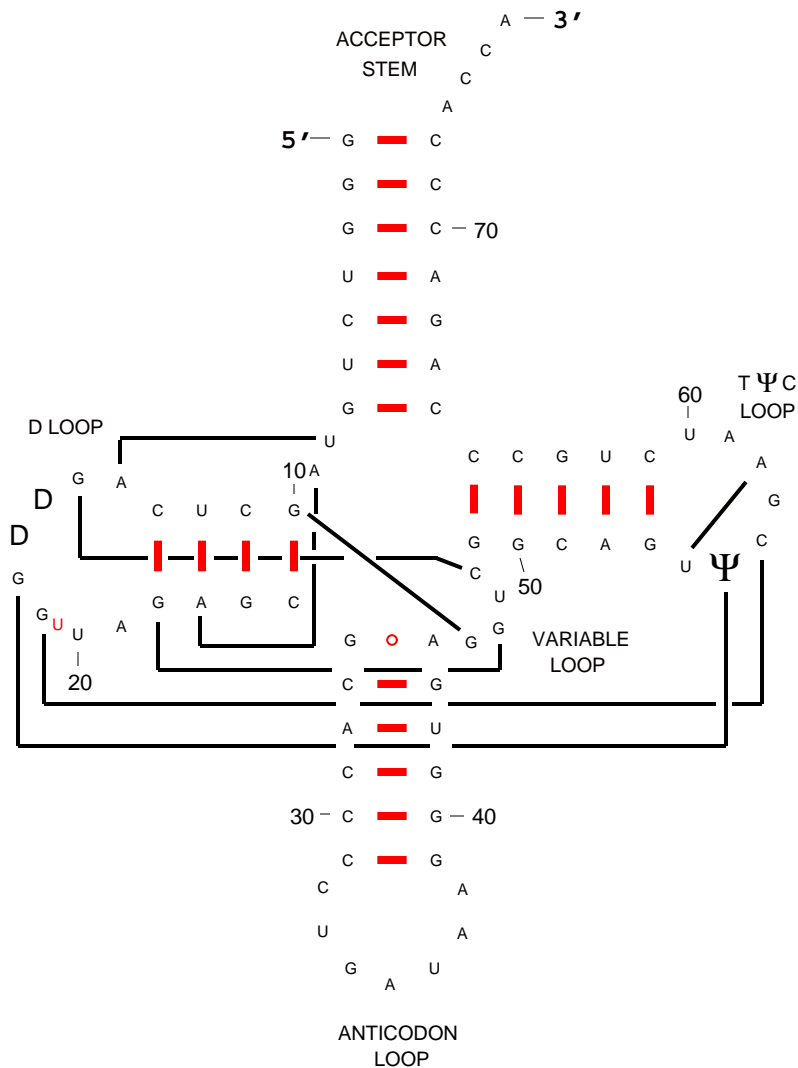


Secondary Structure: transfer RNA



Cyanophora paradoxa

(M19493)

1. cellular organisms 2. Eukaryota 3. Glaucocystophyceae
4. Cyanophoraceae 5. Cyanophora

Jun, 2002