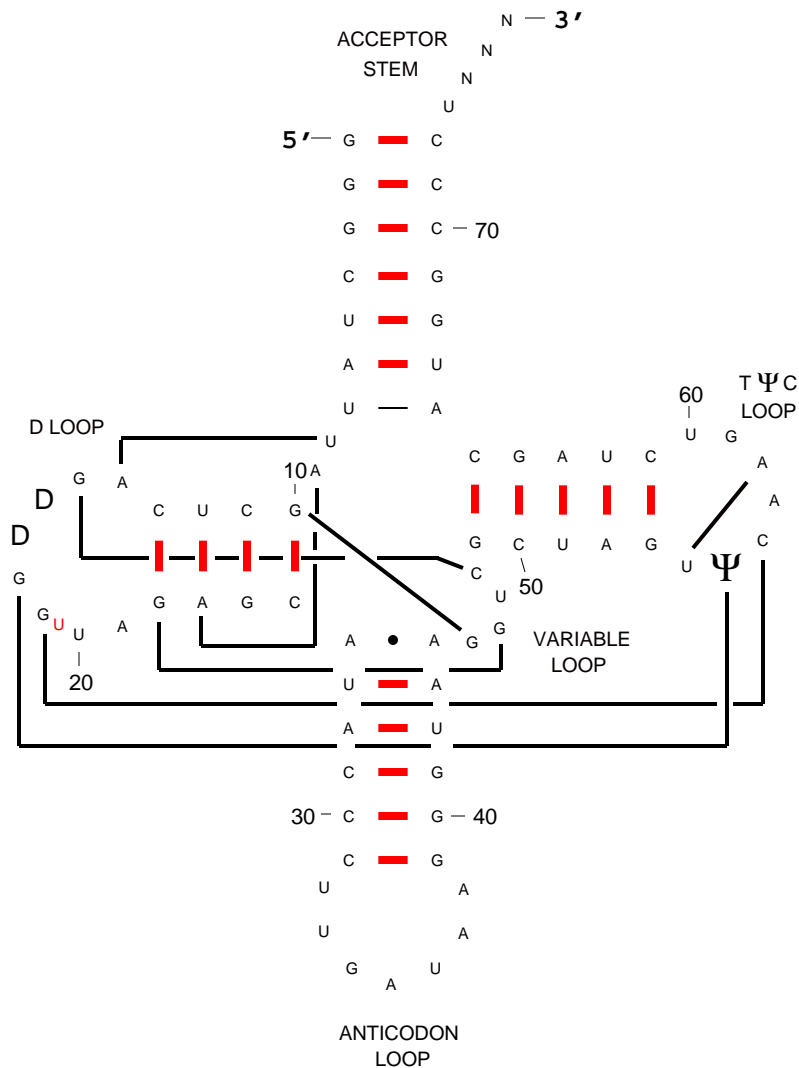


# Secondary Structure: transfer RNA



## *Euglena gracilis*

(X70810)

1.cellular organisms 2.Eukaryota 3.Euglenozoa  
4.Euglenida 5.Euglenales 6.Euglena

Jun,2002