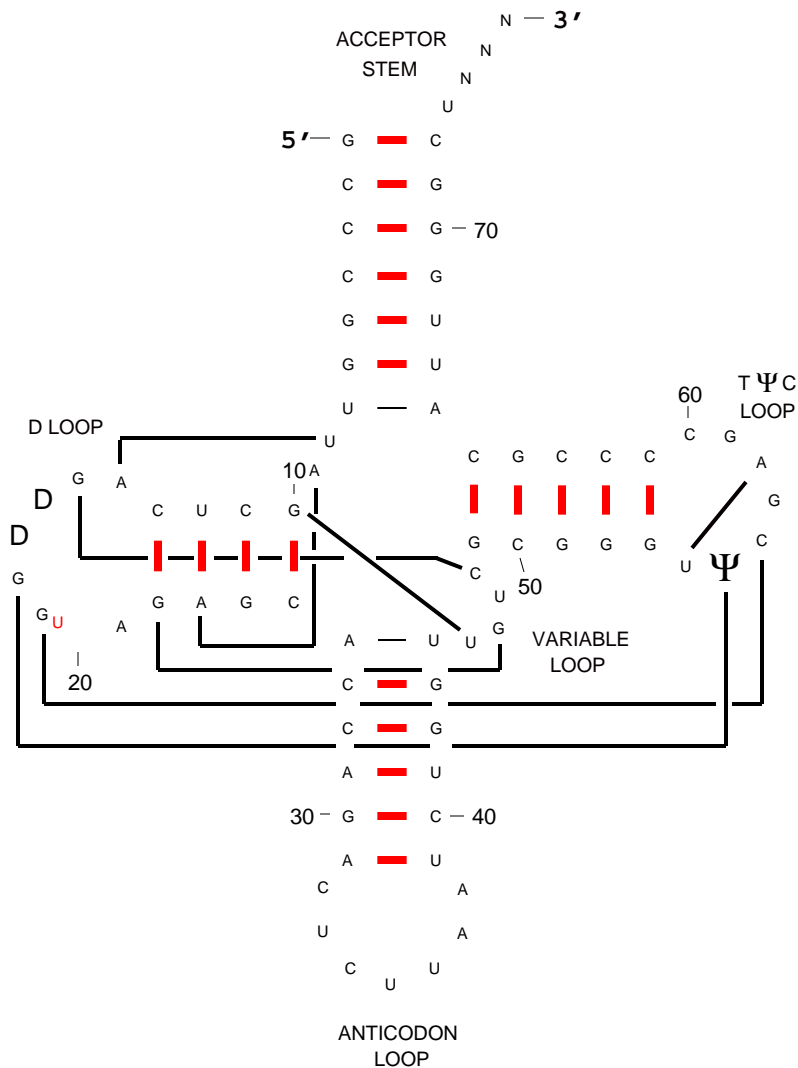


Secondary Structure: transfer RNA



Caenorhabditis elegans

(AF040661)

1.cellular organisms 2.Eukaryota 3.Fungi/Metazoa group
4.Metazoa 5.Eumetazoa 6.Bilateria 7.Pseudocoelomata
8.Nematoda 9.Chromadorea 10.Rhabditida 11.Rhabditoidea
12.Rhabditidae 13.Peloderinae 14.Caenorhabditis

Jun,2002