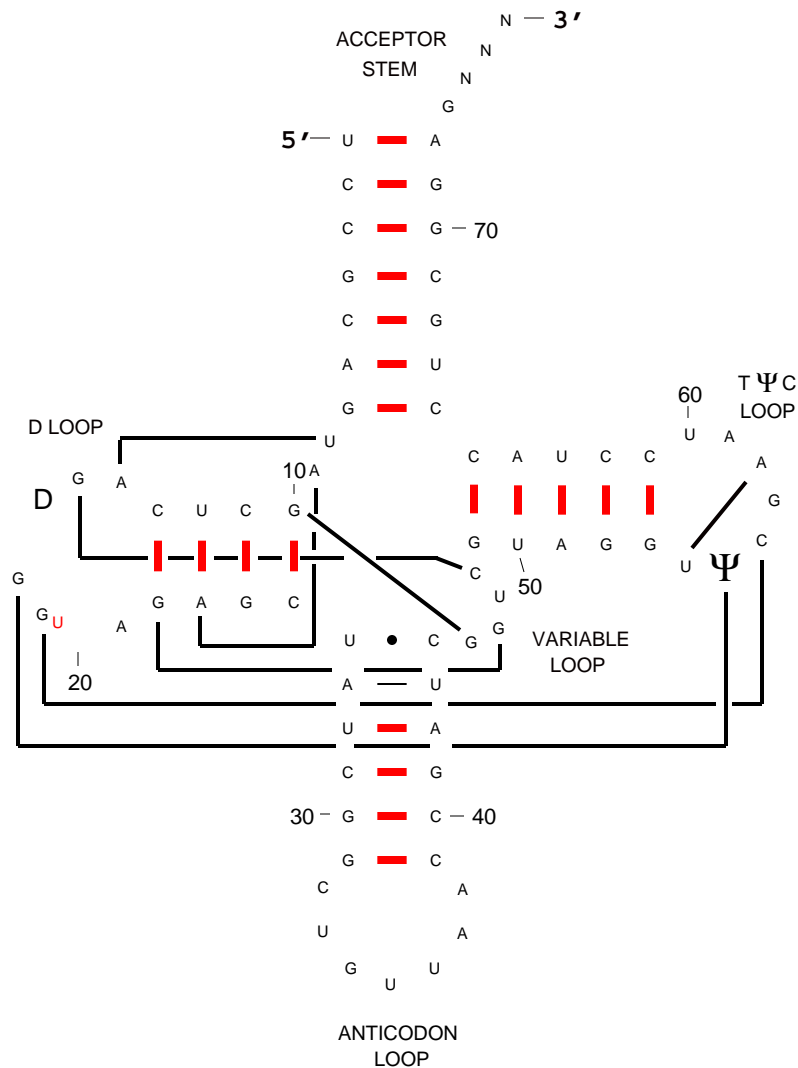


## Secondary Structure: transfer RNA



### *Staphylococcus epidermidis*

(AF269878)

1.cellular organisms 2.Bacteria 3.Firmicutes  
4.Bacillus/Clostridium group 5.Bacilli  
6.Bacillales 7.Staphylococcaceae 8.Staphylococcus  
Jun,2002