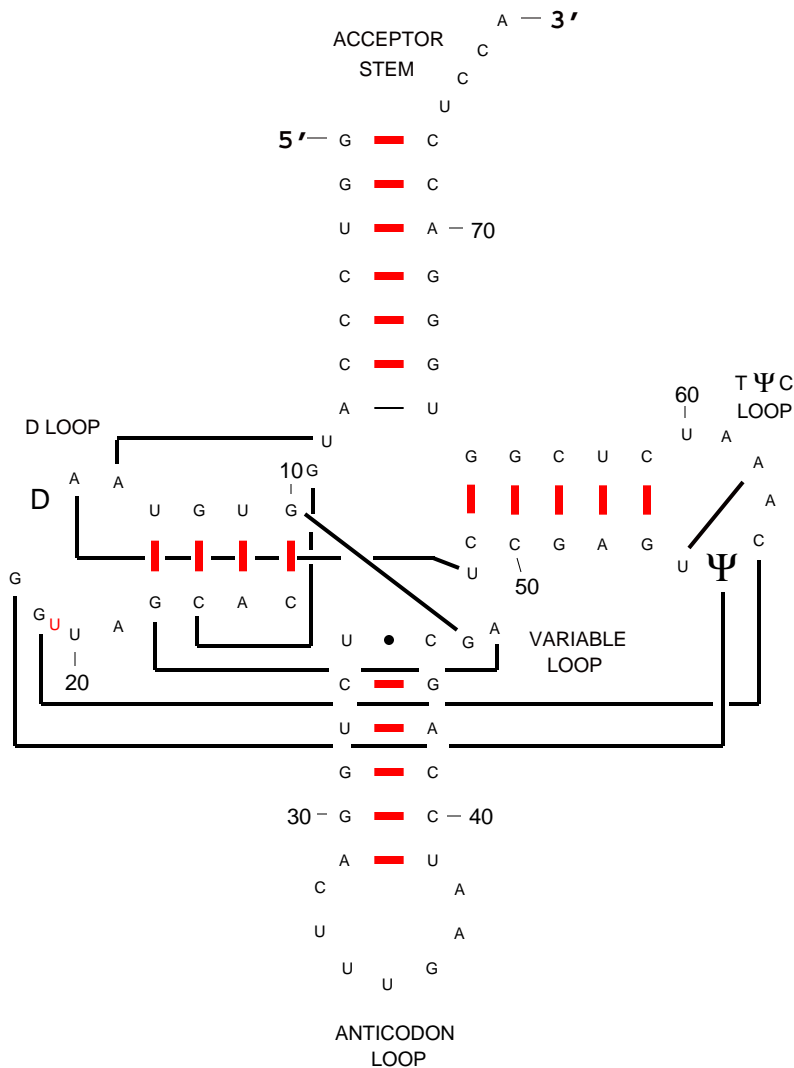


Secondary Structure: transfer RNA



Mus musculus

(M16252)

- 1.cellular organisms
- 2.Eukaryota
- 3.Fungi/Metazoa group
- 4.Metazoa
- 5.Eumetazoa
- 6.Bilateria
- 7.Coelomata
- 8.Deuterostomia
- 9.Chordata
- 10.Craniata
- 11.Vertebrata
- 12.Gnathostomata
- 13.Teleostomi
- 14.Euteleostomi
- 15.Sarcopterygii
- 16.Tetrapoda
- 17.Amniota
- 18.Mammalia
- 19.Theria
- 20.Eutheria
- 21.Rodentia
- 22.Sciurognathi
- 23.Muridae
- 24.Murinae
- 25.Mus

Jun,2002

Citation and related information available at <http://www.rna.icmb.utexas.edu>