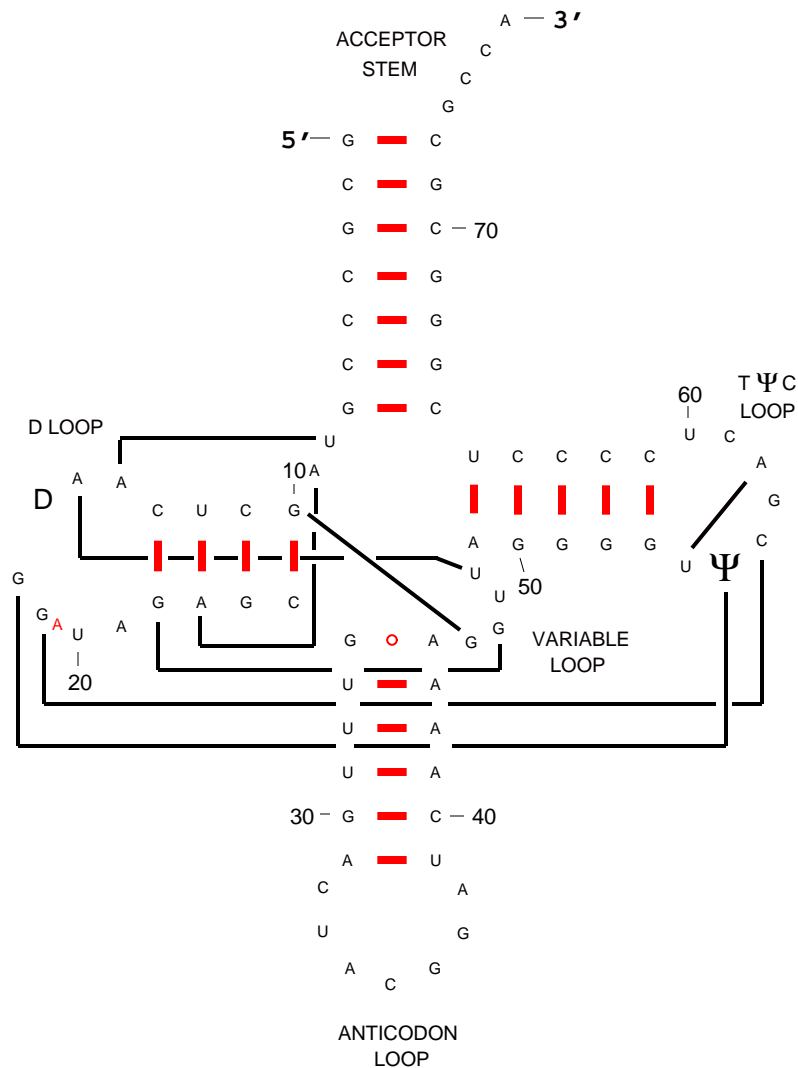


## Secondary Structure: transfer RNA



### *Bacillus subtilis*

(K00156)

1.cellular organisms 2.Bacteria 3.Firmicutes  
4.Bacillus/Clostridium group 5.Bacilli  
6.Bacillales 7.Bacillaceae 8.Bacillus

Jun,2002