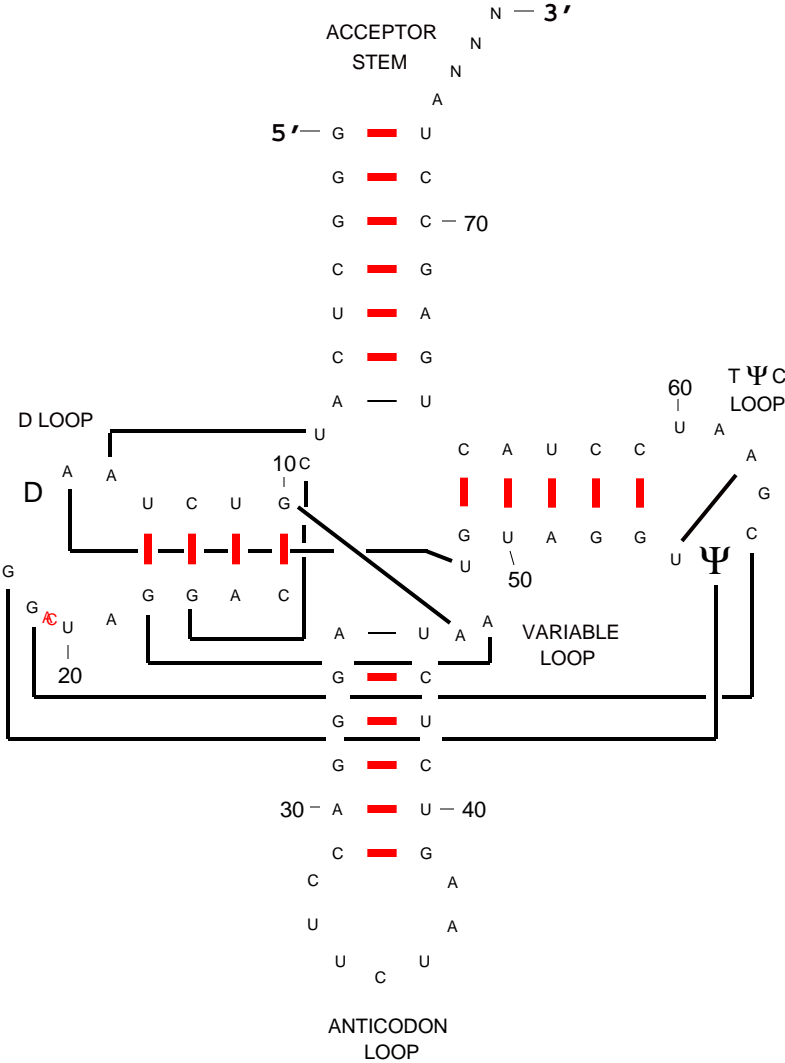


Secondary Structure: transfer RNA



Guillardia theta

(AF041468)

- 1. cellular organisms
- 2. Eukaryota
- 3. Cryptophyta