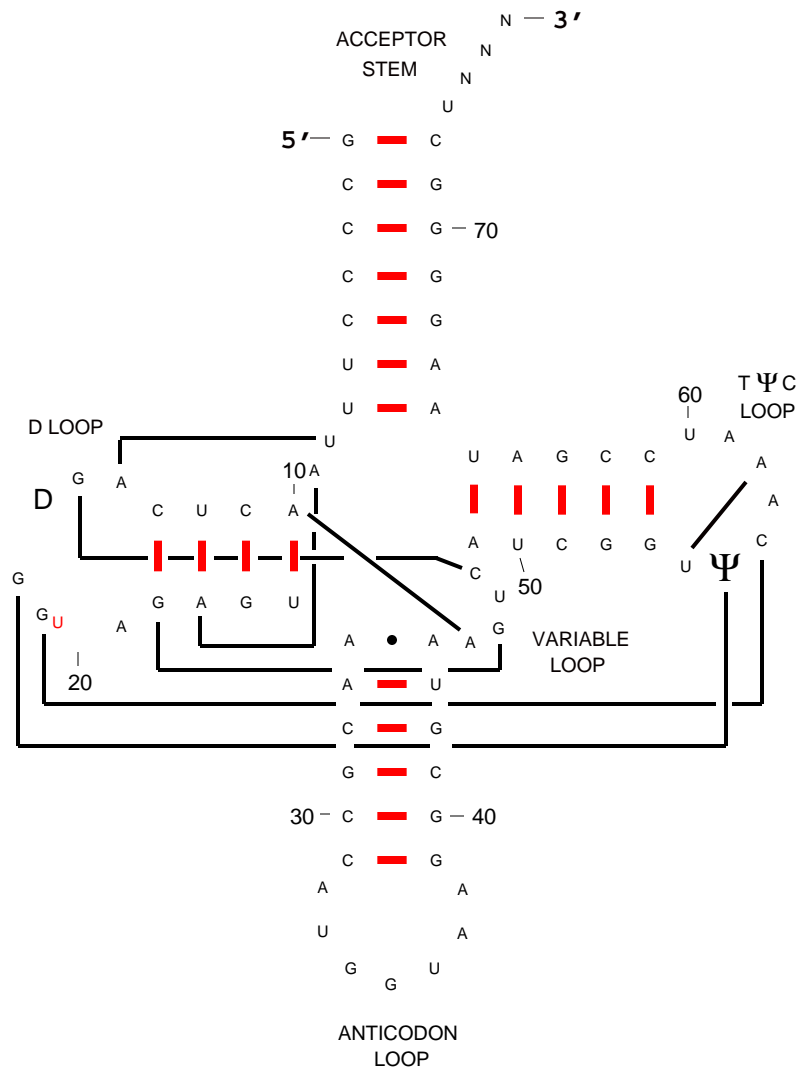


Secondary Structure: transfer RNA



Medicago truncatula

(AC093544)

1. cellular organisms 2. Eukaryota 3. Viridiplantae
4. Streptophyta 5. Charophyta/Embryophyta group
6. Embryophyta

Jun, 2002