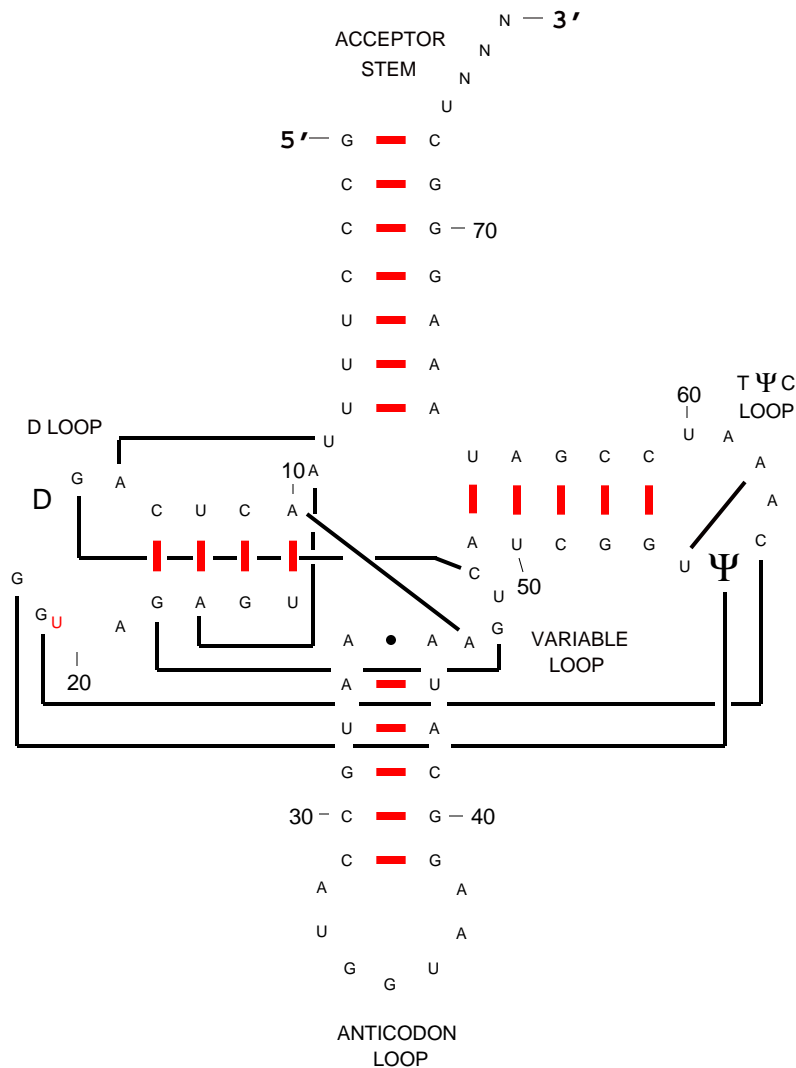


Secondary Structure: transfer RNA



Oryza sativa

(AC092750)

1.cellular organisms 2.Eukaryota 3.Viridiplantae
4.Streptophyta 5.Charophyta/Embryophyta group
6.Embryophyta 7.Tracheophyta 8.Euphyllophyta
9.Spermatophyta 10.Magnoliophyta 11.Liliopsida
12.Commelinidae 13.Poales 14.Poaceae 15.Ehrhartoideae
16.Oryzeae 17.Oryza

Jun,2002