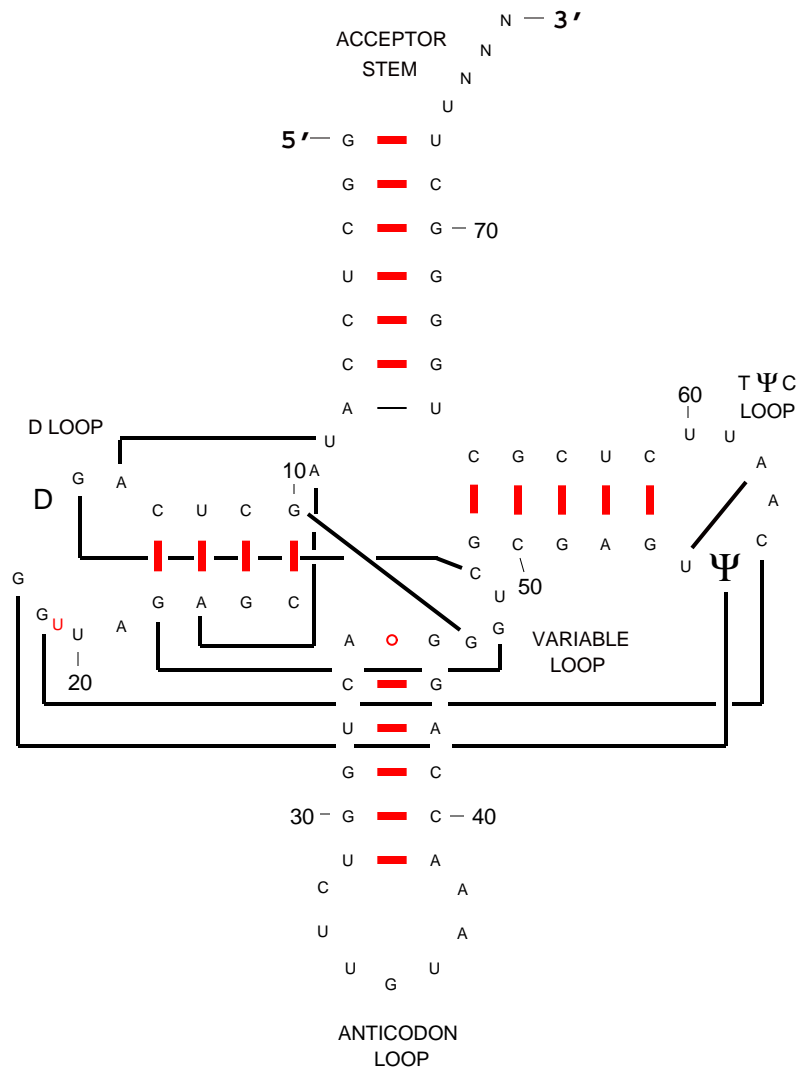


Secondary Structure: transfer RNA



Mycoplasma capricolum

(X16764)

1.cellular organisms 2.Bacteria 3.Firmicutes
4.Bacillus/Clostridium group 5.Mollicutes
6.Entomoplasmatales 7.Entomoplasmataceae
Jun,2002