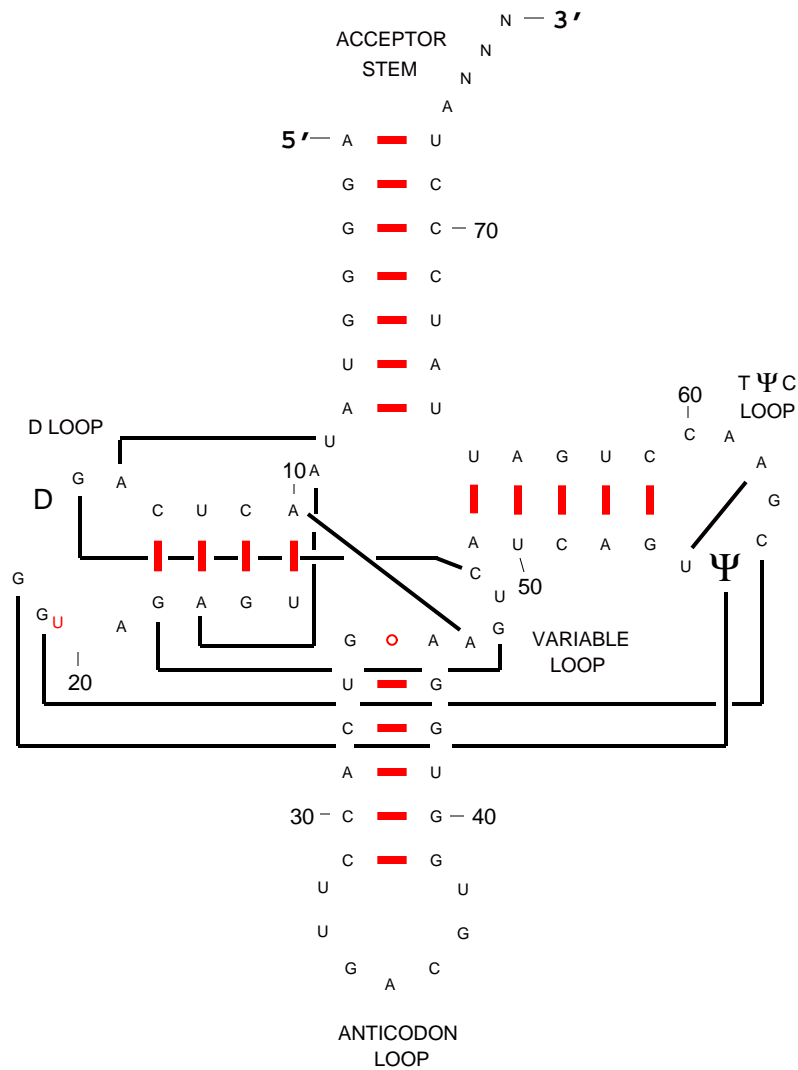


Secondary Structure: transfer RNA



Pisum sativum

(X55033)

1.cellular organisms 2.Eukaryota 3.Viridiplantae
4.Streptophyta 5.Charophyta/Embryophyta group
6.Embryophyta

Jun,2002