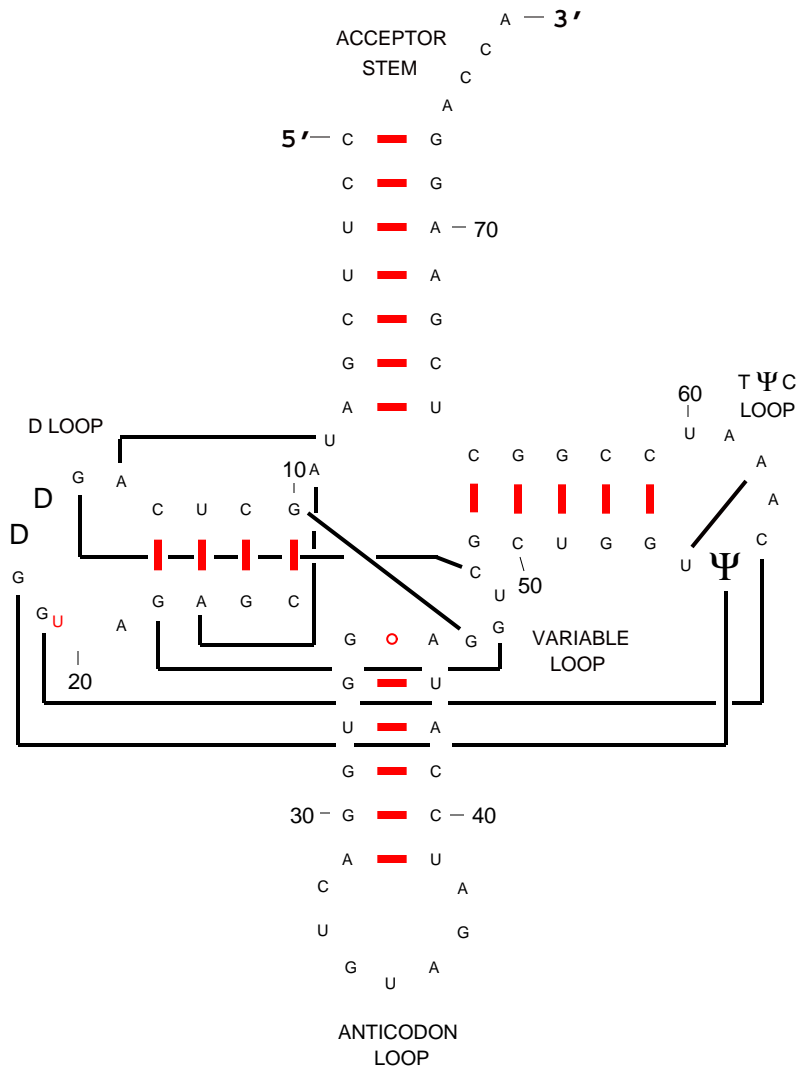


# Secondary Structure: transfer RNA



## *Drosophila melanogaster*

(M26124)

1.cellular organisms 2.Eukaryota 3.Fungi/Metazoa group  
4.Metazoa 5.Eumetazoa 6.Bilateria 7.Coelomata  
8.Protostomia 9.Panarthropoda 10.Arthropoda  
11.Mandibulata 12.Pancrustacea 13.Hexapoda  
14.Insecta 15.Dicondylia 16.Pterygota 17.Neoptera  
18.Endopterygota 19.Diptera 20.Brachycera

Jun,2002