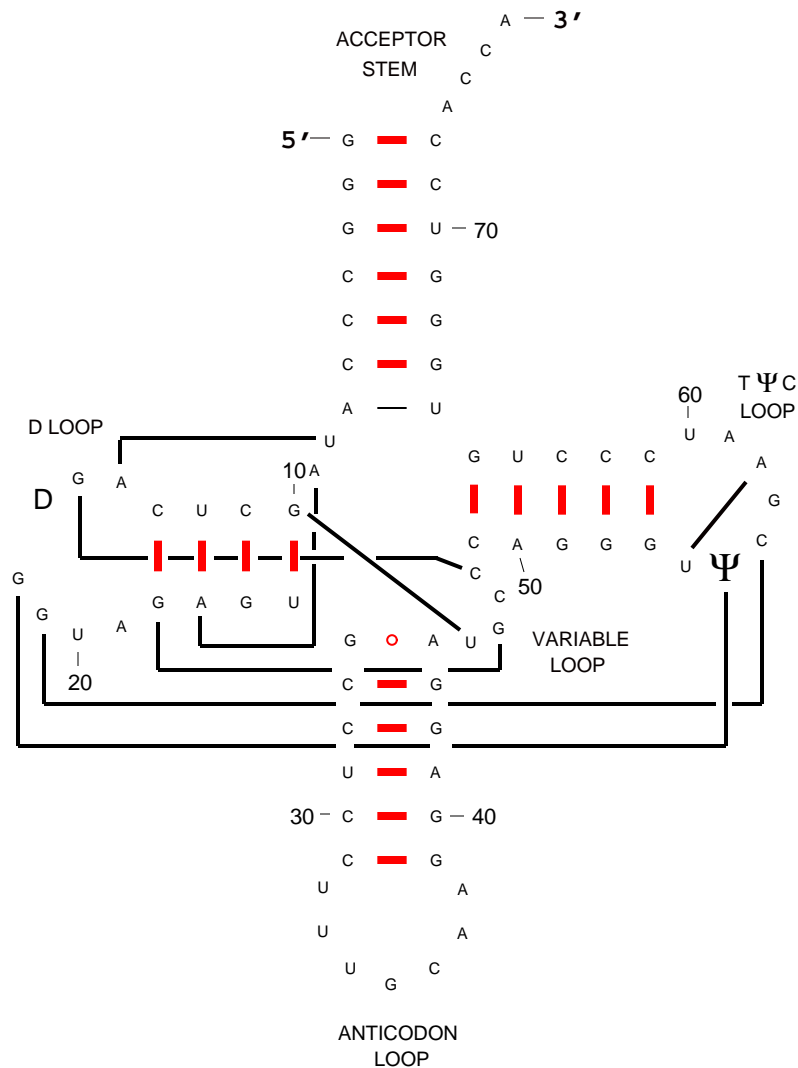


Secondary Structure: transfer RNA



Haloferax volcanii

(K02508)

1.cellular organisms 2.Archaea 3.Euryarchaeota
 4.Halobacteria 5.Halobacteriales 6.Halobacteriaceae
 7.Haloferax

Jun,2002