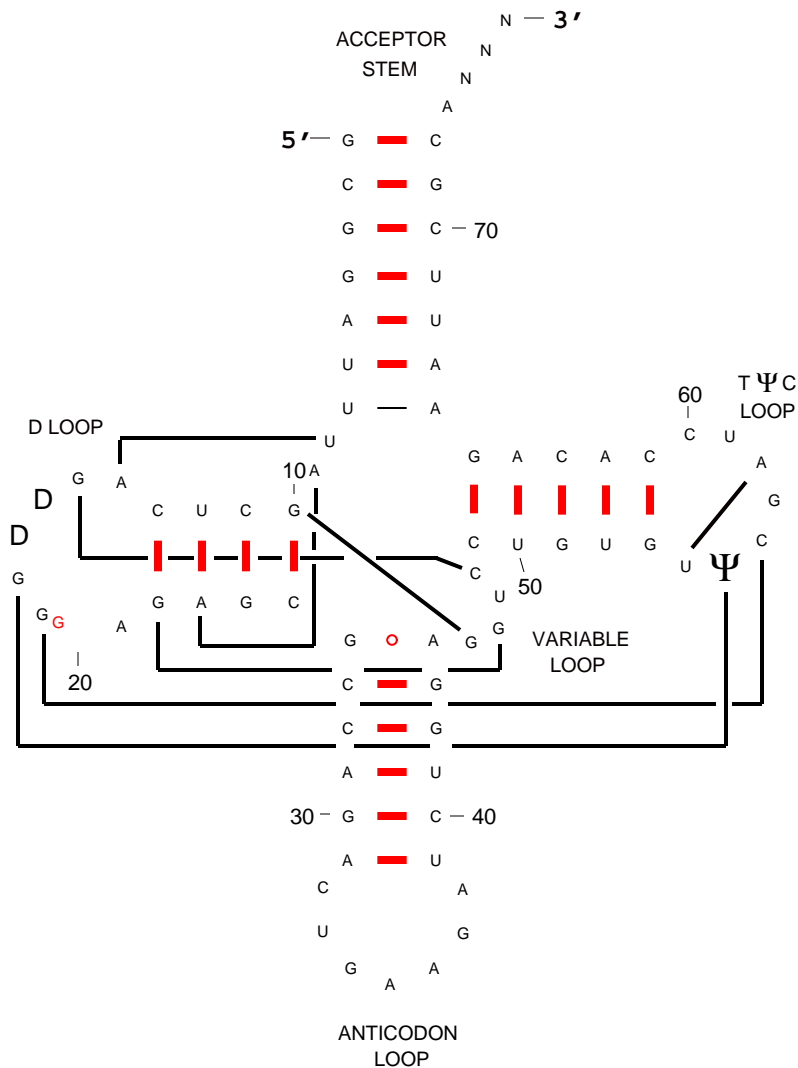


Secondary Structure: transfer RNA



Saccharomyces cerevisiae

(M10263)

1.cellular organisms 2.Eukaryota 3.Fungi/Metazoa group
4.Fungi 5.Ascomycota 6.Saccharomycotina
7.Saccharomycetes 8.Saccharomycetales
9.Saccharomycetaceae 10.Saccharomyces
Jun,2002