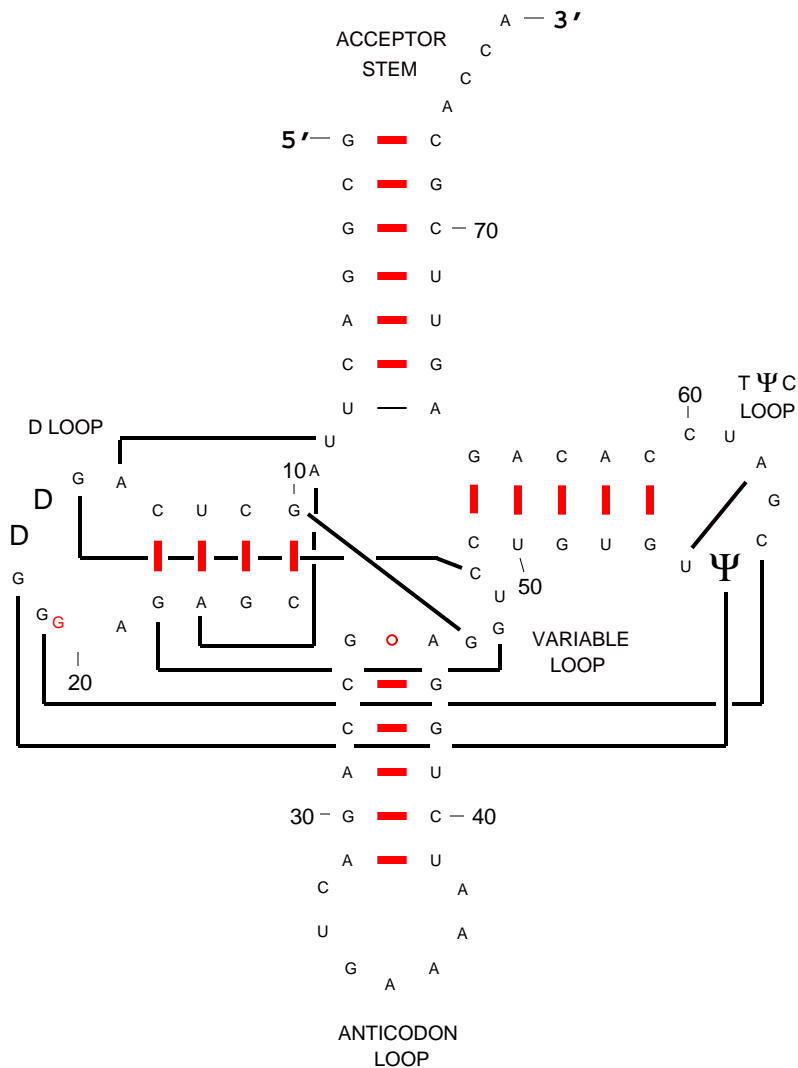


## Secondary Structure: transfer RNA



### *Saccharomyces cerevisiae*

(M14867)

1.cellular organisms 2.Eukaryota 3.Fungi/Metazoa group  
4.Fungi 5.Ascomycota 6.Saccharomycotina  
7.Saccharomycetes 8.Saccharomycetales  
9.Saccharomycetaceae 10.Saccharomyces  
Jun,2002