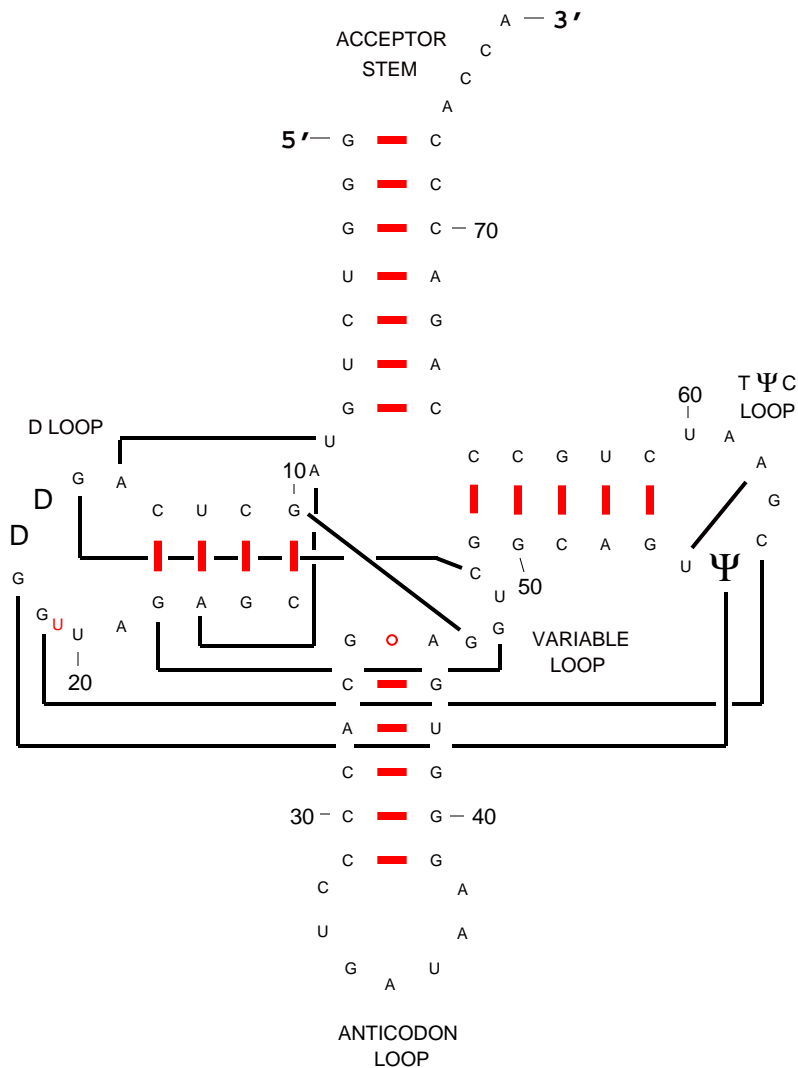


## Secondary Structure: transfer RNA



### *Cyanophora paradoxa*

(M19493)

1.cellular organisms 2.Eukaryota 3.Glaucocystophyceae  
4.Cyanophoraceae 5.Cyanophora

Jun,2002