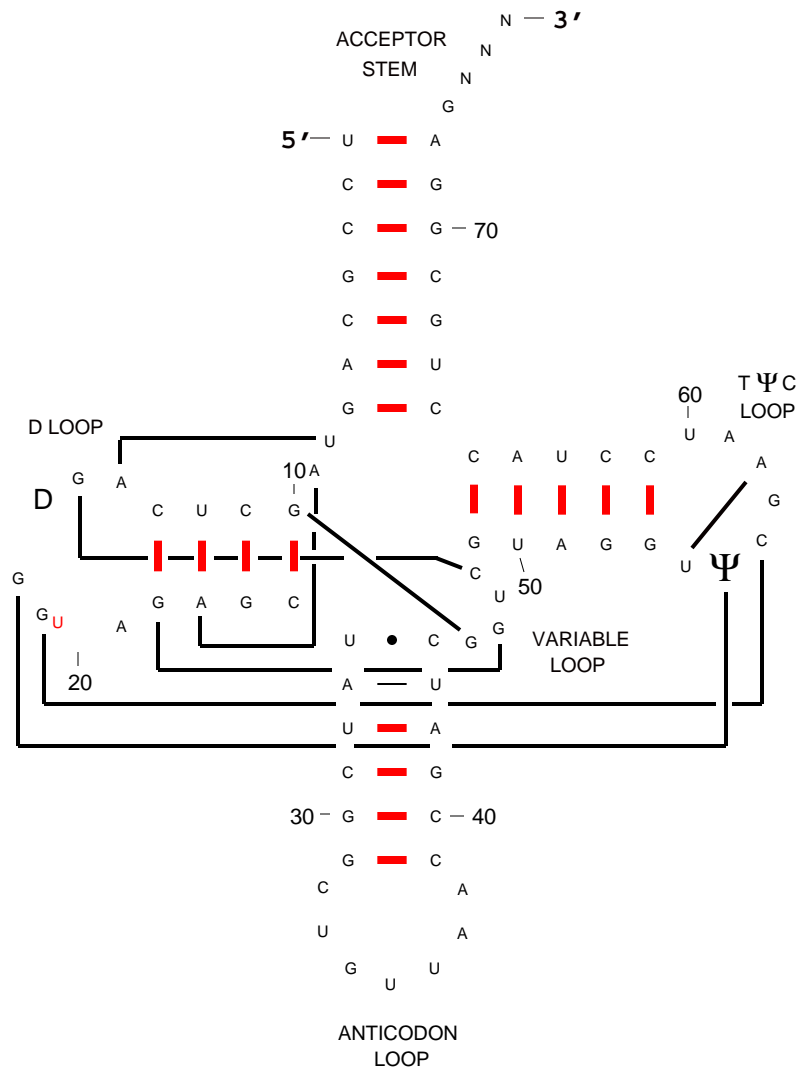


Secondary Structure: transfer RNA



Staphylococcus epidermidis

(AF269878)

1.cellular organisms 2.Bacteria 3.Firmicutes
4.Bacillus/Clostridium group 5.Bacilli
6.Bacillales 7.Staphylococcaceae 8.Staphylococcus
Jun,2002