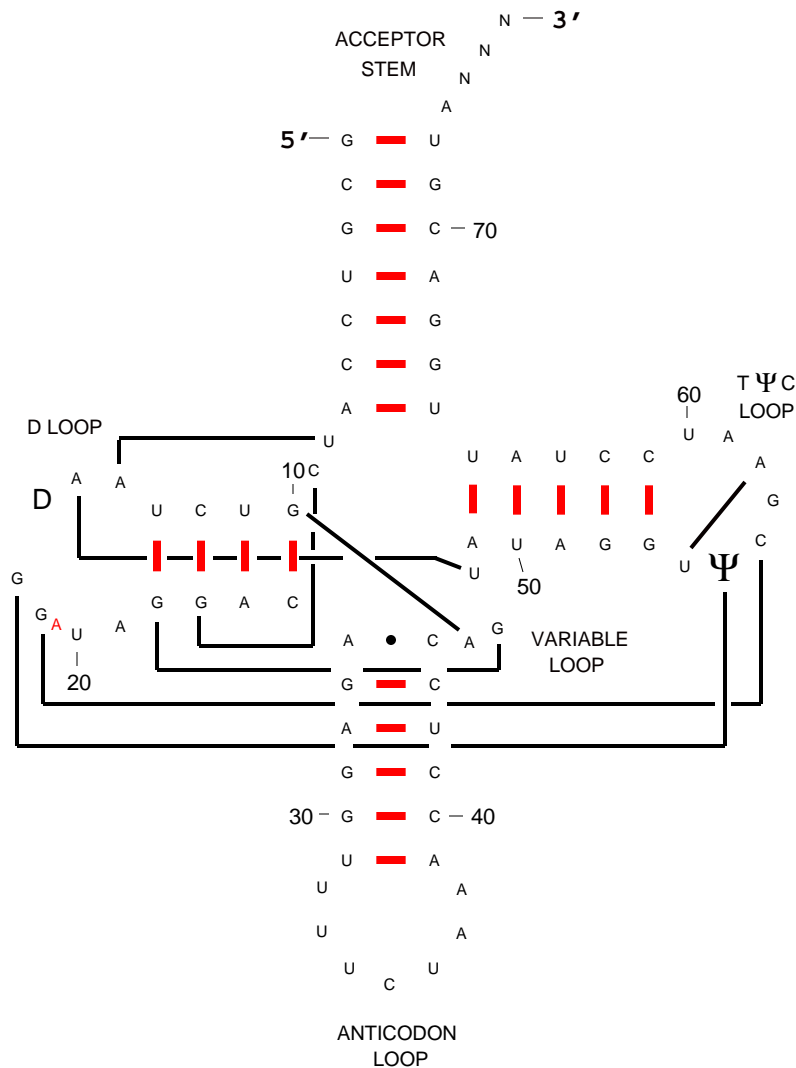


Secondary Structure: transfer RNA



Marchantia polymorpha

(X04465)

- 1.cellular organisms
- 2.Eukaryota
- 3.Viridiplantae
- 4.Streptophyta
- 5.Charophyta/Embryophyta group
- 6.Embryophyta
- 7.Tracheophyta
- 8.Euphyllophyta
- 9.Spermatophyta
- 10.Magnoliophyta
- 11.eudicotyledons
- 12.core eudicots
- 13.Asteridae
- 14.euasterids II
- 15.Asterales
- 16.Asteraceae
- 17.Asteroideae

Jun,2002

Citation and related information available at <http://www.rna.icmb.utexas.edu>