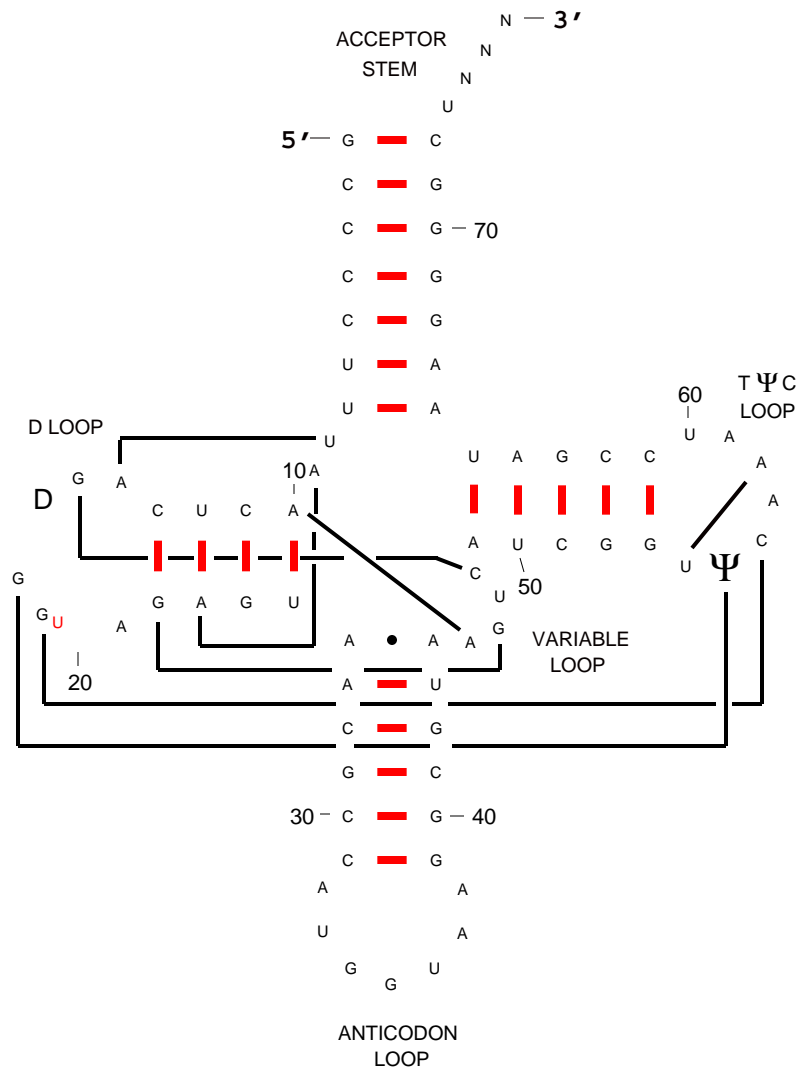


# Secondary Structure: transfer RNA



## *Medicago truncatula*

(AC093544)

1. cellular organisms 2. Eukaryota 3. Viridiplantae  
4. Streptophyta 5. Charophyta/Embryophyta group  
6. Embryophyta

Jun, 2002