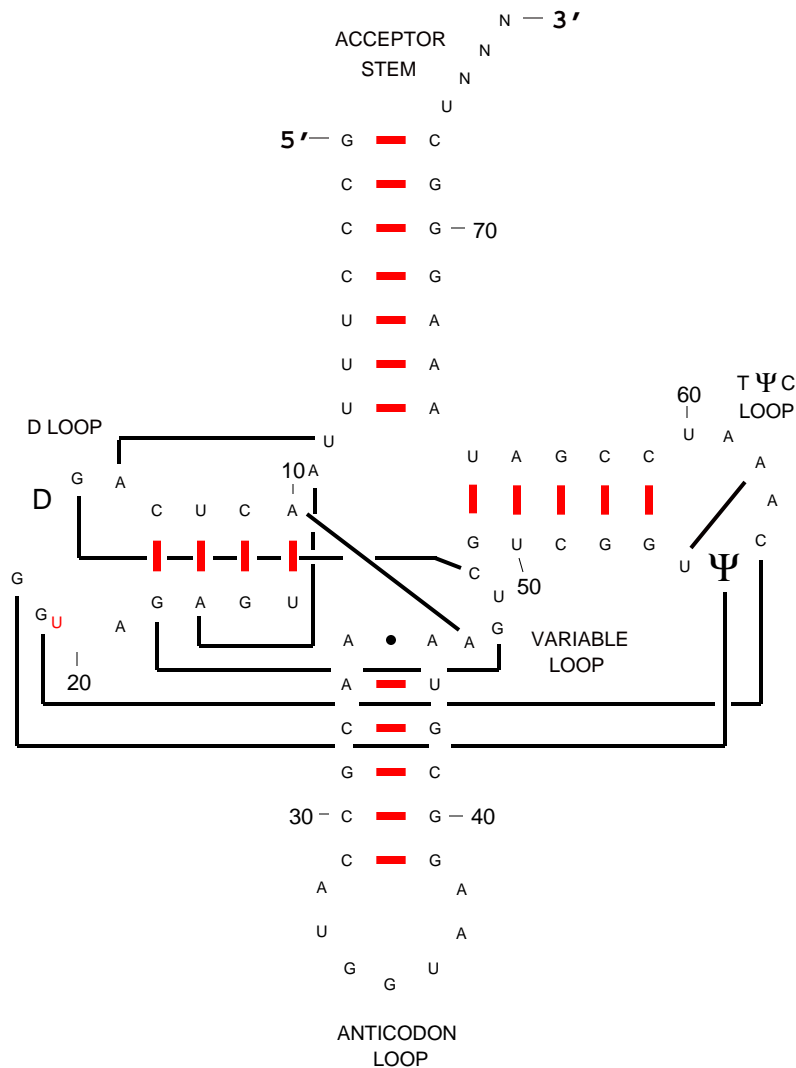


Secondary Structure: transfer RNA



Spinacia oleracea

(AJ400848)

- 1.cellular organisms
- 2.Eukaryota
- 3.Viridiplantae
- 4.Streptophyta
- 5.Charophyta/Embryophyta group
- 6.Embryophyta
- 7.Tracheophyta
- 8.Euphyllophyta
- 9.Spermatophyta
- 10.Magnoliophyta
- 11.eudicotyledons
- 12.core eudicots
- 13.Caryophyllidae
- 14.Caryophyllales
- 15.Chenopodiaceae
- 16.Spinacia

Jun,2002

Citation and related information available at <http://www.rna.icmb.utexas.edu>