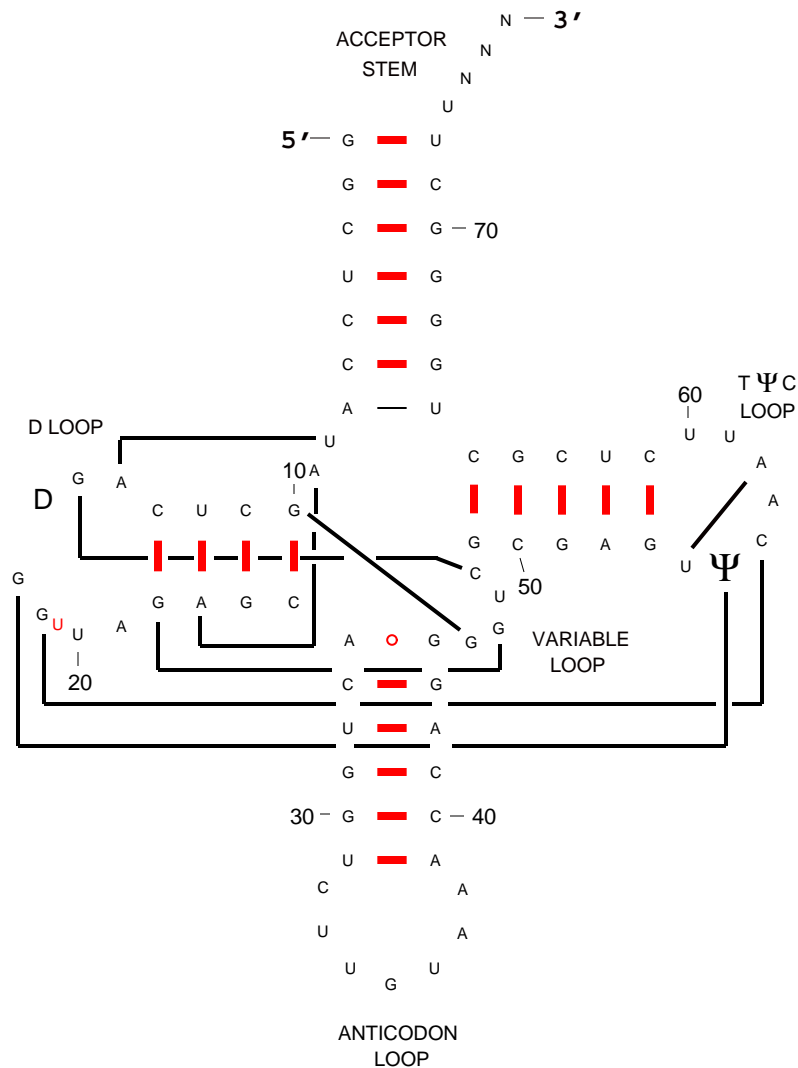


## Secondary Structure: transfer RNA



### *Mycoplasma capricolum*

(X16764)

1.cellular organisms 2.Bacteria 3.Firmicutes  
4.Bacillus/Clostridium group 5.Mollicutes  
6.Entomoplasmatales 7.Entomoplasmataceae  
Jun,2002