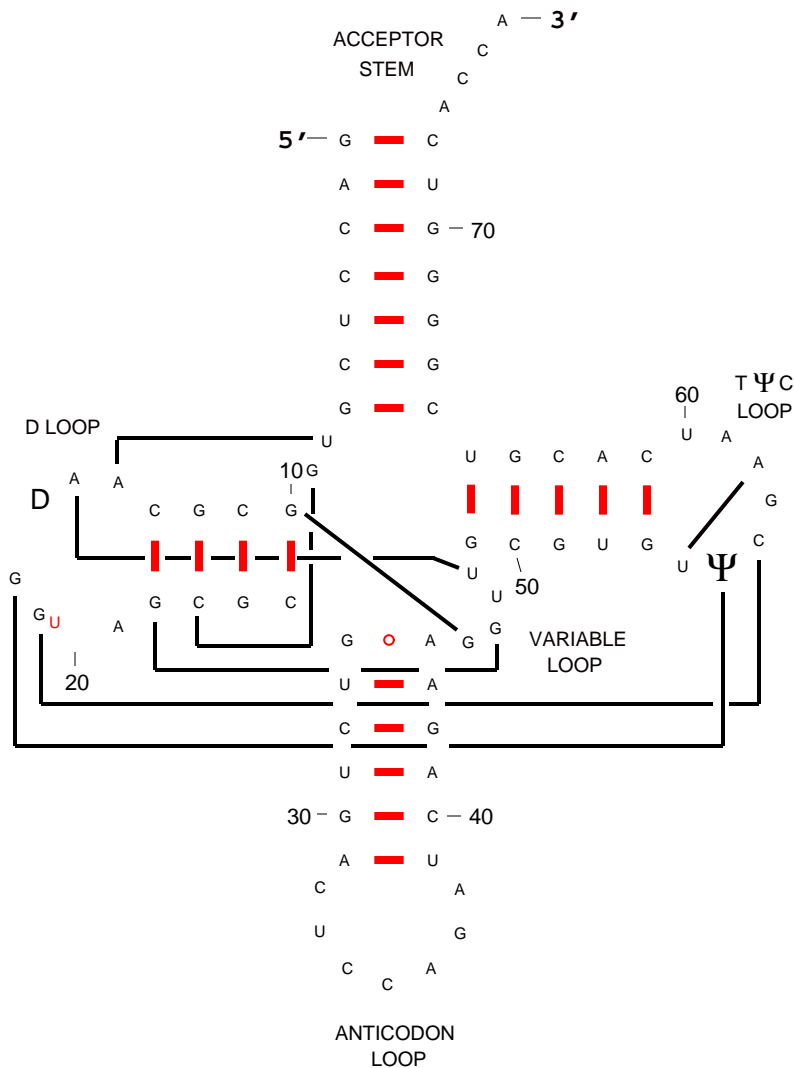


Secondary Structure: transfer RNA



Bos taurus

(M10543)

1.cellular organisms 2.Eukaryota 3.Fungi/Metazoa group
4.Metazoa 5.Eumetazoa 6.Bilateria 7.Coelomata
8.Deuterostomia 9.Chordata 10.Craniata 11.Vertebrata
12.Gnathostomata 13.Teleostomi 14.Euteleostomi
15.Sarcopterygii 16.Tetrapoda 17.Amniota 18.Mammalia
19.Theria 20.Eutheria 21.Cetartiodactyla 22.Ruminantia
23.Pecora 24.Bovoidea 25.Bovidae 26.Bovinae 27.Bos

Jun, 2002

Citation and related information available at <http://www.rna.icmb.utexas.edu>