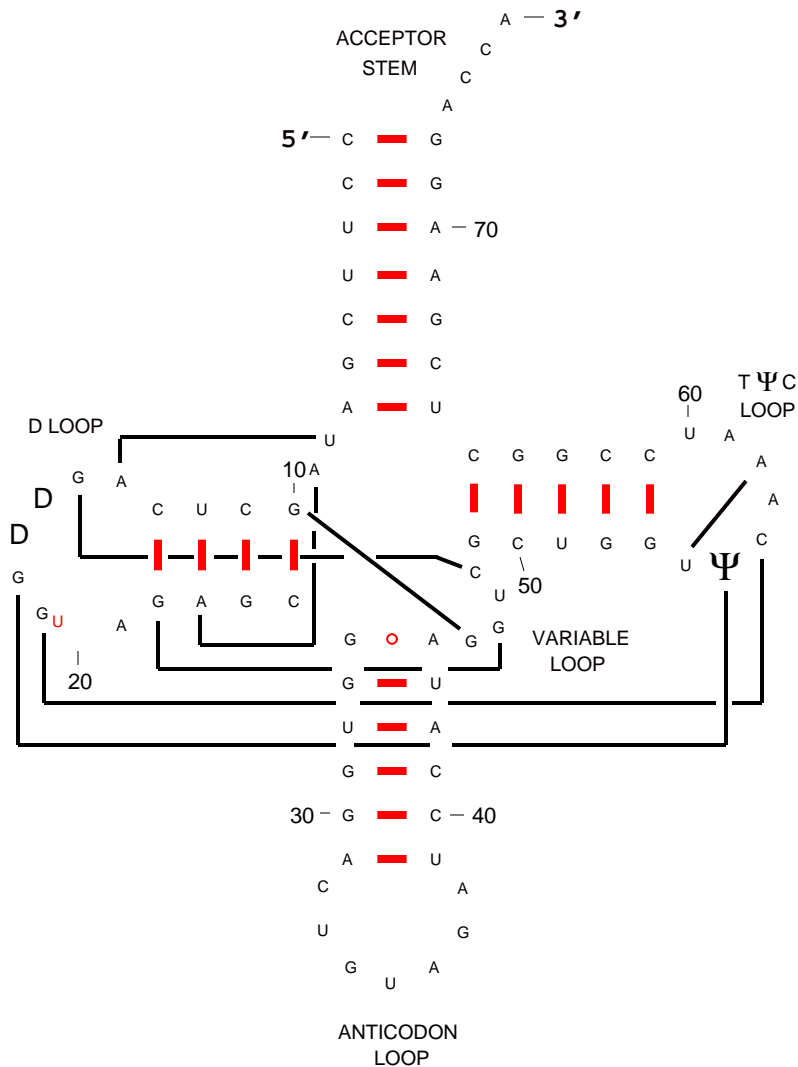


Secondary Structure: transfer RNA



Drosophila melanogaster

(M26124)

1. cellular organisms
2. Eukaryota
3. Fungi/Metazoa group
4. Metazoa
5. Eumetazoa
6. Bilateria
7. Coelomata
8. Protostomia
9. Panarthropoda
10. Arthropoda
11. Mandibulata
12. Pancrustacea
13. Hexapoda
14. Insecta
15. Dicondylia
16. Pterygota
17. Neoptera
18. Endopterygota
19. Diptera
20. Brachycera

Jun, 2002